



cabrio[®]

FABRIC CARE SYSTEM

**TOP-LOADING
HIGH EFFICIENCY
LOW-WATER WASHER
USE AND CARE GUIDE**

**GUIDE D'UTILISATION
ET D'ENTRETIEN DE
LA LAVEUSE HAUTE
EFFICACITÉ À FAIBLE
CONSOMMATION D'EAU
AVEC CHARGEMENT PAR
LE DESSUS**

Para una version de estas instrucciones en español, visite www.Whirlpool.com

Table of Contents

WASHER SAFETY	2
WHAT'S NEW UNDER THE LID?	3
CONTROL PANEL AND FEATURES	4
CYCLE GUIDE.....	5
USING YOUR WASHER.....	6
Using Laundry Product Dispensers.....	7
Starting Your Washer	7
WASHER MAINTENANCE	9
TROUBLESHOOTING.....	11
WARRANTY.....	16
ASSISTANCE OR SERVICE.....	Back Cover

Table des matières

SÉCURITÉ DE LA LAVEUSE	17
QUOI DE NEUF SOUS LE COUVERCLE?	18
TABLEAU DE COMMANDE ET CARACTÉRISTIQUES	19
GUIDE DES PROGRAMMES.....	21
UTILISATION DE LA LAVEUSE	23
Utilisation des distributeurs de produits de lessive...24	
Mise en marche de la laveuse.....	24
ENTRETIEN DE LA LAVEUSE.....	27
DÉPANNAGE.....	29
GARANTIE.....	35
ASSISTANCE OU SERVICE.....	Couverture arrière



Designed to use only HE High Efficiency detergents.
Conçue pour l'utilisation d'un détergent haute efficacité seulement.

WASHER SAFETY

Your safety and the safety of others are very important.

We have provided many important safety messages in this manual and on your appliance. Always read and obey all safety messages.



This is the safety alert symbol.

This symbol alerts you to potential hazards that can kill or hurt you and others.

All safety messages will follow the safety alert symbol and either the word “DANGER” or “WARNING.” These words mean:

! DANGER

You can be killed or seriously injured if you don't immediately follow instructions.

! WARNING

You can be killed or seriously injured if you don't follow instructions.

All safety messages will tell you what the potential hazard is, tell you how to reduce the chance of injury, and tell you what can happen if the instructions are not followed.

IMPORTANT SAFETY INSTRUCTIONS

WARNING: To reduce the risk of fire, electric shock, or injury to persons when using the washer, follow basic precautions, including the following:

- Read all instructions before using the washer.
- Do not wash articles that have been previously cleaned in, washed in, soaked in, or spotted with gasoline, dry-cleaning solvents, other flammable, or explosive substances as they give off vapors that could ignite or explode.
- Do not add gasoline, dry-cleaning solvents, or other flammable, or explosive substances to the wash water. These substances give off vapors that could ignite or explode.
- Under certain conditions, hydrogen gas may be produced in a hot water system that has not been used for 2 weeks or more. **HYDROGEN GAS IS EXPLOSIVE.** If the hot water system has not been used for such a period, before using the washing machine, turn on all hot water faucets and let the water flow from each for several minutes. This will release any accumulated hydrogen gas. As the gas is flammable, do not smoke or use an open flame during this time.
- Do not allow children to play on or in the washer. Close supervision of children is necessary when the washer is used near children.
- Before the washer is removed from service or discarded, remove the door or lid.
- Do not reach into the washer if the drum, tub or agitator is moving.
- Do not install or store the washer where it will be exposed to the weather.
- Do not tamper with controls.
- Do not repair or replace any part of the washer or attempt any servicing unless specifically recommended in this manual or in published user-repair instructions that you understand and have the skills to carry out.
- See “Electrical Requirements” located in the installation instructions for grounding instructions.

SAVE THESE INSTRUCTIONS

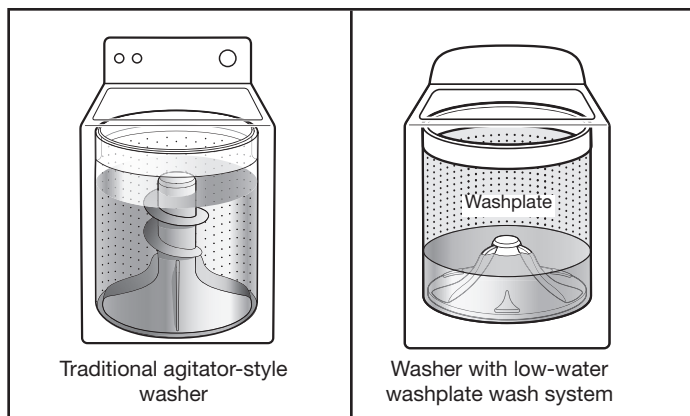
State of California Proposition 65 Warnings:

WARNING: This product contains one or more chemicals known to the State of California to cause cancer.

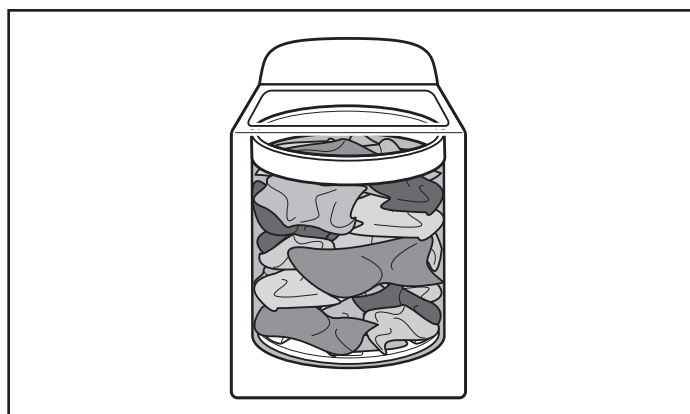
WARNING: This product contains one or more chemicals known to the State of California to cause birth defects or other reproductive harm.

WHAT'S NEW UNDER THE LID?

Cleaning with Less Water



The most striking difference in your new washer is the low-water washplate wash system. The washer automatically adjusts the water level to the load size—no water level selector is needed.

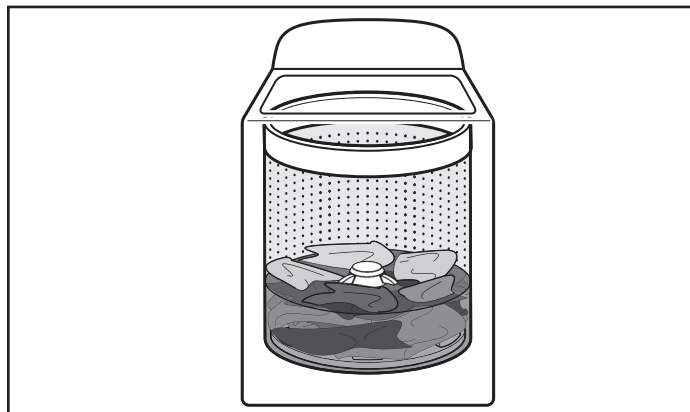


When loading the washer with dirty laundry, fill it evenly around the basket wall.

Automatic Load Size Sensing

Once you start the cycle, the lid will lock, and the washer will begin the sensing process to determine the correct water level for the load. This may take several minutes before water is added. You will find a step-by-step description in the “Cycle Status Lights” section.

You will hear the motor turn the basket in short pulses to thoroughly wet the load. This low-water wash method uses less water and energy compared to a traditional agitator-style washer.



As the washer dampens and moves the load, the level of the clothes will settle in the basket. This is normal, and does not indicate that more clothes should be added.

IMPORTANT: You will not see a washer basket full of water as with your past agitator-style washer.

Choosing the Right Detergent

Use only High Efficiency detergents. The package will be marked “HE” or “High Efficiency.” Low-water washing creates excessive sudsing with a regular non-HE detergent. Using regular detergent will likely result in longer cycle times and reduced rinsing performance. It may also result in component failures and noticeable mold or mildew. HE detergents are made to produce the right amount of suds for the best performance. Follow the manufacturer’s instructions to determine the amount of detergent to use.



Use only High Efficiency (HE) detergent.

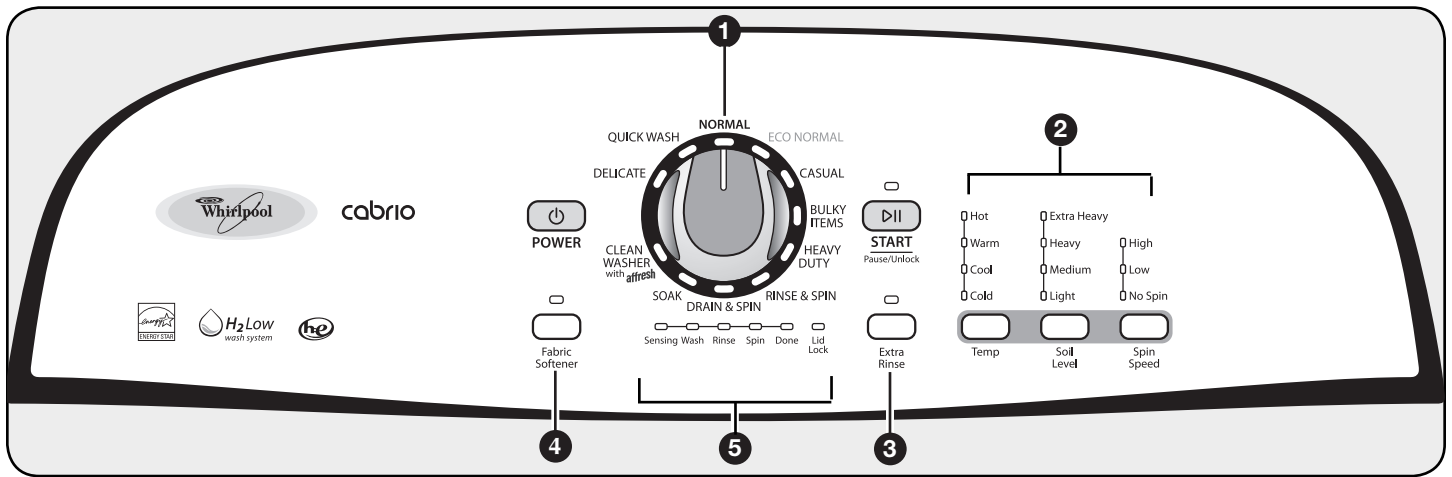
Concentrated Cleaning

Low-water cleaning means concentrated cleaning. Rather than diluting detergent as done in an agitator-style washer, this washer delivers the detergent directly to the soils.

Normal Sounds You Can Expect

At different stages of the wash cycle, you may hear sounds and noises that are different from those of your previous washer. For example, you may hear a clicking and hum at the beginning of the cycle, as the lid lock goes through a self-test. There will be different kinds of humming and whirring sounds as the washplate moves the load. And sometimes, you may hear nothing at all, as the washer determines the correct water level for your load or allows time for clothes to soak.

CONTROL PANEL AND FEATURES



1 WASH CYCLE KNOB
Use the Wash Cycle knob to select available cycles on your washer. Turn the knob to select a cycle for your laundry load. See “Cycle Guide” for detailed descriptions of cycles.

5 CYCLE STATUS LIGHTS INDICATOR
The Cycle Status Lights show the progress of a cycle. At each stage of the process, you may notice sounds or pauses that are different from traditional washers.

2 CYCLE OPTIONS
When you select a cycle, its default settings will light up. Not all cycles and options are available on all models.



TEMP

Temperature Control senses and maintains uniform water temperatures by regulating incoming hot and cold water.

Select a wash temperature based on the type of fabric and soils being washed. For best results and following the garment label instructions, use the warmest wash water safe for your fabric.

- Warm and hot water may be cooler than what your previous washer provided.
- Even in a Cool water wash, some warm water may be added to the washer to maintain a minimum temperature.

SOIL LEVEL

Soil level (wash time) is preset for each wash cycle.

For most loads, use the soil level that is preset with the cycle you have chosen. For heavily soiled and sturdy fabrics, press Soil Level to select more wash time, if needed. For lightly soiled and delicate fabrics, press Soil Level to select less wash time, if needed. Lighter soil level setting will help reduce tangling and wrinkling.

SPIN SPEED

This washer automatically selects the spin speed based on the cycle selected. The preset speeds can be changed. Not all spin speeds are available with all cycles.

- Faster spin speeds mean shorter dry times, but may increase wrinkling in your load.
- Slower spin speeds mean less wrinkling, but will leave your load more damp.

You may also add or remove options for each cycle. Not all options can be used with all cycles, and some are preset to work with certain cycles.

SENSING



When the Start/Pause/Unlock button is pressed, the washer will first perform a self-test on the lid lock mechanism. You will hear a click, the basket will make a slight turn, then lid will unlock briefly before locking again.

Once the lid has locked the second time, the washer will use short, slow spins to estimate the load size. These sensing spins may take 2 to 3 minutes before water is added to the load and you may hear the hum of these spins. If the sensing light is on, the washer is working properly. You will hear the motor turn the basket in short pulses to thoroughly wet the load. The washer will then move the load briefly, pause to allow water to soak into the load, and resume adding water. This process may repeat until the correct amount of water has been added for the load. You may also hear water flowing through the dispenser, adding detergent to the load.

NOTE: Avoid opening the lid during sensing. The sensing process will start over when the washer is restarted. The sensing light may also come on during the Wash portion of the cycle. This is normal.

WASH



You will hear the motor and washplate moving the load. Unlike traditional washers, the load is not covered with water. Low-water cleaning means concentrated cleaning. Rather than diluting detergent as done in an agitator-style washer, this washer delivers the detergent directly to the soils. The motor sounds may change at different stages in the cycle. The wash time is determined by the selected soil level.

RINSE



You will hear sounds similar to the wash cycle as the washer rinses and moves the load. You may hear the motor turning on briefly (short hum) to move the basket while filling. Fabric softener will be added if the Fabric Softener option was selected. Some cycles use spray rinsing.

3 EXTRA RINSE
This option can be used to automatically add a second rinse to most cycles.

4 FABRIC SOFTENER
This option must be selected if using fabric softener during a cycle. It ensures that fabric softener is added at the correct time in the rinse for even distribution.

SPIN



The washer spins the load at increasing speeds for proper water removal, based on selected cycle and spin speed.

DONE



Once the cycle is complete, this light will come on. Remove the load promptly for best results.

LID LOCK

To allow for proper load sensing, the lid will lock and the Lid Lock light will turn on. This light indicates that the lid is locked and cannot be opened.

If you need to open the lid, press START/PAUSE/UNLOCK. The lid will unlock once the washer movement has stopped. This may take several minutes if the load was spinning at high speed. Press START/PAUSE/UNLOCK again to resume the cycle.



CYCLE GUIDE

Settings and options shown in **bold** are default settings for that cycle. For best fabric care, choose the cycle that best fits the load being washed.

Not all cycles and options are available on all models.

Items to wash:	Cycle:	Wash/Rinse Temperature:	Spin Speed:	Soil Level:	Available Options:	Cycle Details:
Machine-wash silks, hand-wash fabrics	Delicate	Hot/Cold Warm/Cold Cool/Cold Cold/Cold	High Low No Spin	Extra Heavy Heavy Medium Light	Extra Rinse	Use this cycle to wash lightly soiled garments indicating "Machine Washable Silks" or "Gentle" cycle on the care label. Place small items in mesh garment bags before washing. This cycle uses a higher, preset water level.
Small loads, cottons, polyester, perm press	Quick Wash	Hot/Cold Warm/Cold Cool/Cold Cold/Cold	High Low No Spin	Extra Heavy Heavy Medium Light	Extra Rinse	Use this cycle to wash small, lightly soiled loads of 2-3 items that are needed in a hurry. This cycle features a spray rinse.
Cottons, linens, sheets, and mixed garment loads	Normal	Hot/Cold Warm/Cold Cool/Cold Cold/Cold	High	Extra Heavy Heavy Medium Light	Extra Rinse	Use this cycle for normally soiled cottons and mixed fabric loads. This cycle features a spray rinse. Low speed spin and no speed spin are not available.
Cottons, sheets, and mixed garment loads.	Eco Normal	Hot/Cold Warm/Cold Cool/Cold Cold/Cold	High No Spin	Extra Heavy Heavy Medium Light	Extra Rinse	The Eco Normal cycle allows you to increase your energy savings compared to the Normal cycle. When this cycle is used, the wash cycle will use cooler wash water temperatures than the Normal cycle.
No-iron fabrics, cottons, perm press, linens, synthetics	Casual	Hot/Cold Warm/Cold Cool/Cold Cold/Cold	High Low No Spin	Extra Heavy Heavy Medium Light	Extra Rinse	Use this cycle to wash loads of no-iron fabrics such as sport shirts, blouses, casual business clothes, permanent press, and blends.
Large items such as sleeping bags, small comforters, jackets	Bulky Items	Hot/Cold Warm/Cold Cool/Cold Cold/Cold	High Low No Spin	Extra Heavy Heavy Medium Light	Extra Rinse	Use this cycle to wash large items such as jackets and small comforters. The washer will fill with enough water to wet down the load before the wash portion of the cycle begins. Do not overload basket.
Sturdy fabrics, colorfast items, towels, jeans	Heavy Duty	Hot/Cold Warm/Cold Cool/Cold Cold/Cold	High Low No Spin	Extra Heavy Heavy Medium Light	Extra Rinse	Use this cycle for heavily soiled or sturdy items. Water-level sensing process may take longer for some items than for others because they will absorb more water than other fabric types.
Swimsuits and items requiring rinsing without detergent	Rinse & Spin	Cold/Cold	High Low No Spin			Combines a rinse and spin for loads requiring an additional rinse cycle or to complete a load after power interruption. Spin speed is selectable; default is high. This cycle uses a higher, preset water level. Also use for loads that require rinsing only.
Hand-washed items or dripping wet items	Drain & Spin		High Low No Spin			This cycle uses a spin to shorten drying times for heavy fabrics or special-care items washed by hand. Use this cycle to drain washer after cancelling a cycle or completing a cycle after a power failure.
Heavily soiled fabrics	Soak	Hot/Cold Warm/Cold Cool/Cold Cold/Cold	No Spin	Extra Heavy Heavy Medium Light		Use this cycle to soak small spots of set-in stains on fabrics. After time has expired, washer will drain, but will not spin. To set a follow-up cycle, select Drain & Spin, add additional detergent and select a cycle based on fabric type.
No clothes in washer	Clean Washer with Affresh™	Hot/Cold	High	Extra Heavy		Use once a month to keep the inside of the washer fresh and clean. Higher water levels and Affresh® work together to thoroughly clean the washer interior.

USING YOUR WASHER

⚠ WARNING



Fire Hazard

Never place items in the washer that are dampened with gasoline or other flammable fluids.

No washer can completely remove oil.

Do not dry anything that has ever had any type of oil on it (including cooking oils).

Doing so can result in death, explosion, or fire.

⚠ WARNING



Electrical Shock Hazard

Plug into a grounded 3 prong outlet.

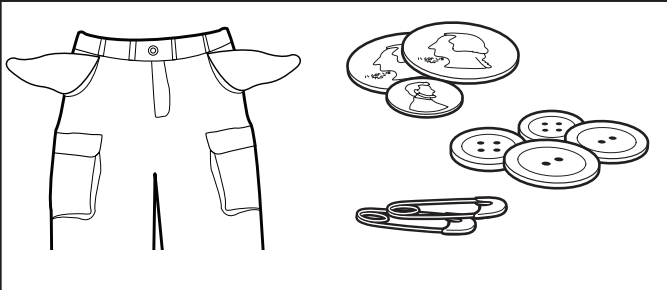
Do not remove ground prong.

Do not use an adapter.

Do not use an extension cord.

Failure to follow these instructions can result in death, fire, or electrical shock.

1. Sort and prepare your laundry



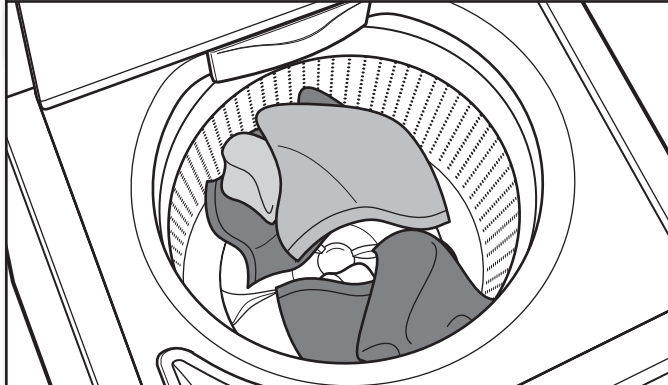
- Empty pockets. Loose change, buttons, or any small object can pass under the washplate and become trapped, causing unexpected sounds.
- Sort items by recommended cycle, water temperature, and colorfastness.
- Separate heavily soiled items from lightly soiled.
- Separate delicate items from sturdy fabrics.
- Do not dry garments if stains remain after washing, because heat can set stains into fabric.
- Treat stains promptly.
- Close zippers, fasten hooks, tie strings and sashes, and remove non-washable trim and ornaments.
- Mend rips and tears to avoid further damage to items during washing.

Helpful Tips:

- When washing water-proof or water-resistant items, load evenly. See "Cycle Guide" for tips and more information on using the Bulky Items cycle.
- Use mesh garment bags to help avoid tangling when washing delicate or small items.
- Turn knits inside out to avoid pilling. Separate lint-takers from lint-givers. Synthetics, knits, and corduroy fabrics will pick up lint from towels, rugs, and chenille fabrics.

NOTE: Always read and follow fabric care label instructions to avoid damage to your garments.

2. Load laundry into washer



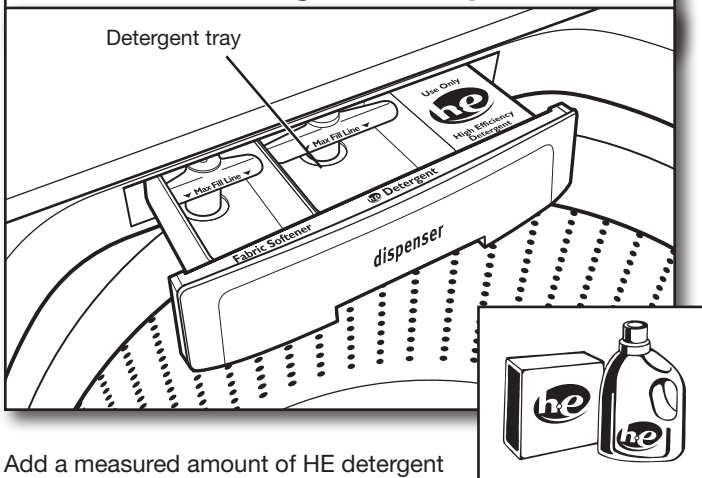
Load garments in loose heaps evenly around basket wall. Do not wrap large items such as sheets around the washplate; load them in loose piles around the sides of the basket. Try mixing different sized items to reduce tangling.

IMPORTANT: Items need to move freely for best cleaning and to reduce wrinkling and tangling.



Using Laundry Product Dispensers

3. Add HE detergent to dispenser



Add a measured amount of HE detergent into detergent tray. This tray holds 3 oz. (89 mL). Do not overfill tray – adding too much detergent may cause detergent to be dispensed into the washer too early.

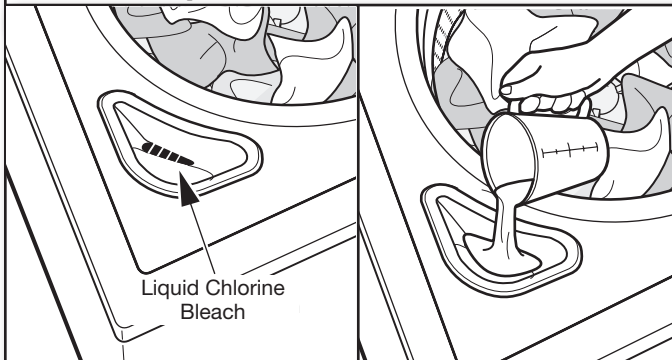
IMPORTANT: Use only High Efficiency detergents. The package will be marked “HE” or “High Efficiency.” Low-water washing creates excessive sudsing with a regular non-HE detergent. Using regular detergent will likely result in longer cycle times and reduced rinsing performance. It may also result in component failures and noticeable mold or mildew. HE detergents are made to produce the right amount of suds for the best performance. Follow the manufacturer’s instructions to determine the amount of detergent to use.

Using Oxi or color-safe bleach:

If using an Oxi or color-safe bleach laundry boost product, add to the bottom of the washer basket before adding clothes.

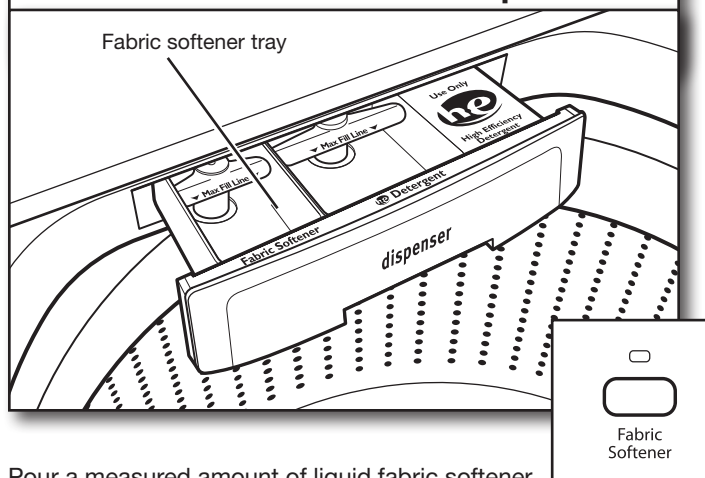
HELPFUL TIP: See “Washer Maintenance” for information on recommended method of cleaning washer dispenser trays.

4. Add liquid chlorine bleach to dispenser



Do not overfill, dilute, or use more than 1 cup (250 mL). Do not use color-safe bleach or Oxi products in the same cycle with liquid chlorine bleach.

5. Add fabric softener to dispenser



Pour a measured amount of liquid fabric softener into tray, always follow manufacturer’s directions for correct amount of fabric softener based on your load size. Close dispenser drawer, then select Fabric Softener option.

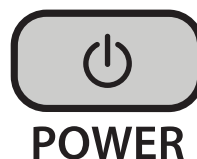
IMPORTANT: Fabric Softener option must be selected to ensure proper distribution at correct time in cycle. Do not overfill or dilute. Overfilling dispenser will cause fabric softener to immediately dispense into washer.

If Extra Rinse option is selected, fabric softener will be dispensed into the last rinse.

It is normal for a small amount of water to remain in the dispenser at the end of a cycle.

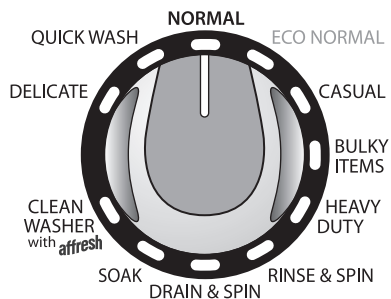
Starting Your Washer

6. Press POWER to turn on washer



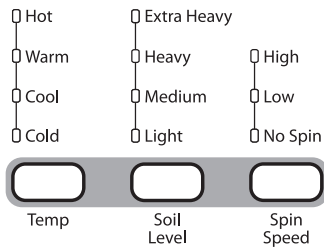
Make sure the dispenser drawer is closed completely, then press POWER to turn on the washer.

7. Select cycle



Turn cycle knob to choose your wash cycle. For more information, see “Control Panel”.

8. Select cycle settings

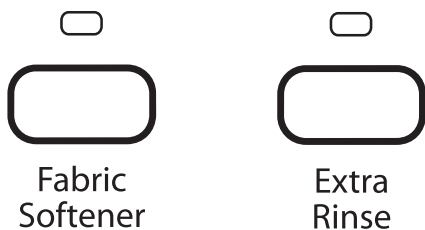


Once you select a cycle, the default settings for that cycle will be lit. Press the cycle settings buttons to change the Temperature, Soil Level, and Spin Speed, if desired.

NOTE: Always read and follow fabric care label instructions to avoid damage to your garments.

Wash Temp	Suggested Fabrics
Hot Some cold water is added to save energy. This will be cooler than your hot water heater setting.	Whites and pastels Durable garments Heavy soils
Warm Some cold water will be added, so this will be cooler than what your previous washer provided.	Bright colors Moderate to light soils
Cool - brights/darks Warm water is added to assist in soil removal and to help dissolve detergents.	Colors that bleed or fade Light soils
Cold Warm water may be added to assist in soil removal and to help dissolve detergents.	Dark colors that bleed or fade Light soils

9. Select cycle options



Select any other cycle options you may wish to add, if not previously set. Some cycles will automatically add certain options such as Extra Rinse. These can be turned off, if desired.

NOTE: Not all options are available with all cycles.

10. Press START/Pause/Unlock to begin wash cycle



Press the START/PAUSE/UNLOCK button to start the wash cycle. Filling is delayed for several minutes while load balance is sensed. When the cycle has finished, the DONE indicator will light. Promptly remove garments after cycle has completed to avoid odor, reduce wrinkling, and rusting of metal hooks, zippers, and snaps.

Unlocking the lid to add garments

If you need to open the lid to add 1 or 2 missed garments:

Press START/PAUSE/UNLOCK; the lid will unlock once the washer movement has stopped. This may take several minutes if the load was spinning at high speed. Then close the lid and press START/PAUSE/UNLOCK again to restart the cycle.

If lid is left open for more than 10 minutes, water will pump out.

Delay in water fill

Filling is delayed for 2 to 3 minutes to check for load unbalance. You will hear the hum of the spin prior to filling. This is normal operation.

WASHER MAINTENANCE

WATER INLET HOSES

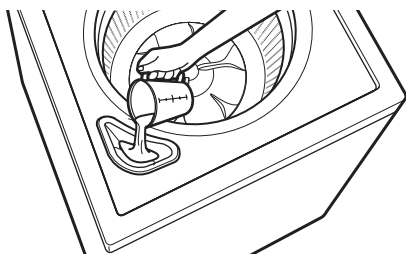
Replace inlet hoses after 5 years of use to reduce the risk of hose failure. Periodically inspect and replace inlet hoses if bulges, kinks, cuts, wear, or leaks are found.

When replacing your inlet hoses, mark the date of replacement on the label with a permanent marker.

CLEANING YOUR WASHER

Keep your washer as clean and fresh as your clothes. To keep washer interior odor-free, follow this recommended monthly cleaning procedure:

1. Make sure the washer is empty.
2. Using recommended AFFRESH® washer cleaner, add one tablet to washer drum
OR
If using liquid chlorine bleach, add 1 cup (250 mL) to liquid chlorine bleach dispenser.



IMPORTANT: Do not add detergent to CLEAN WASHER with AFFRESH™ cycle. Do not use more than recommended amount of bleach to avoid damaging product over time.

3. Close washer lid.
4. Press POWER.
5. Select CLEAN WASHER with AFFRESH™ cycle.
6. Press START/PAUSE/UNLOCK. Water will pour into washer for a moment and pause, lid will lock, then cycle will continue.

NOTE: For best results, do not interrupt cycle. If cycle must be interrupted, press POWER and run a RINSE AND SPIN cycle to ensure cleaner or bleach have been rinsed from washer.

To clean exterior:

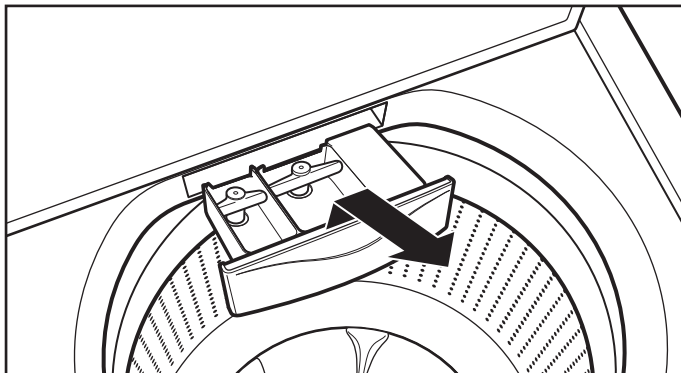
1. Use a soft, damp cloth or sponge to wipe up any spills.
2. Use all-purpose surface cleaner, if needed.

IMPORTANT: To avoid damaging the washer's finish, do not use abrasive products.

CLEANING YOUR DISPENSER TRAY

You may find laundry product residue in your dispenser trays. To remove residue, follow this recommended cleaning procedure:

1. Pull tray out until you feel resistance.
2. Lift up slightly, and then continue pulling out.
3. Wash in warm, soapy water, using a mild detergent.
4. Rinse with warm water.
5. Air dry, or dry with a towel, then place back into slot.



IMPORTANT: Dispenser trays are not dishwasher safe.

NON-USE AND VACATION CARE

Operate your washer only when you are home. If moving, or not using your washer for a period of time, follow these steps:

1. Unplug or disconnect power to washer.
2. Turn off water supply to washer, to avoid flooding due to water pressure surge.

WINTER STORAGE CARE

IMPORTANT: To avoid damage, install and store washer where it will not freeze. Because some water may stay in hoses, freezing can damage washer. If storing or moving during freezing weather, winterize your washer.

To winterize washer:

1. Shut off both water faucets; disconnect and drain water inlet hoses.
2. Put 1 qt. (1 L) of R.V.-type antifreeze in basket and run washer on RINSE AND SPIN cycle for about 30 seconds to mix antifreeze and remaining water.
3. Unplug washer or disconnect power.

TRANSPORTING YOUR WASHER

1. Shut off both water faucets. Disconnect and drain water inlet hoses.
2. If washer will be moved during freezing weather, follow WINTER STORAGE CARE directions before moving.
3. Disconnect drain from drain system and drain any remaining water into a pan or bucket. Disconnect drain hose from back of washer.
4. Unplug power cord.
5. Place inlet hoses and drain hose inside washer basket.
6. Drape power cord over edge and into washer basket.
7. Place packing tray from original shipping materials back inside washer. If you do not have packing tray, place heavy blankets or towels into basket opening. Close lid and place tape over lid and down front of washer. Keep lid taped until washer is placed in new location.

⚠ WARNING



Electrical Shock Hazard

Plug into a grounded 3 prong outlet.

Do not remove ground prong.

Do not use an adapter.

Do not use an extension cord.

Failure to follow these instructions can result in death, fire, or electrical shock.

REINSTALLING/USING WASHER AGAIN

To reinstall washer after non-use, vacation, winter storage, or moving:

1. Refer to Installation Instructions to locate, level, and connect washer.
2. Before using again, run washer through the following recommended procedure:

To use washer again:

1. Flush water pipes and hoses. Reconnect water inlet hoses. Turn on both water faucets.
2. Plug in washer or reconnect power.
3. Run washer through BULKY ITEMS cycle to clean washer and remove antifreeze, if used. Use only HE High Efficiency detergent. Use half the manufacturer's recommended amount for a medium-size load.

TROUBLESHOOTING

First try the solutions suggested here or visit our website at www.whirlpool.com/help for assistance and to possibly avoid a service call.

If you experience	Possible Causes	Solution
Vibration or Off-Balance		
Check the following for proper installation or see "Using Your Washer" section.	Feet may not be in contact with the floor and locked.	Front and rear feet must be in firm contact with floor, and washer must be level to operate properly. Jam nuts must be tight against the bottom of the cabinet.
	Washer may not be level.	Check floor for flexing or sagging. If flooring is uneven, a 3/4" (19 mm) piece of plywood under your washer will reduce sound.
		See "Level the Washer" in the "Installation Instructions".
	Load could be unbalanced.	Load dry items in loose heaps evenly around basket wall. Adding wet items to washer or adding more water to basket could unbalance washer.
		Wash smaller loads to reduce imbalance.
		Use Bulky Item cycle for oversized, non-absorbent items such as comforters or poly-filled jackets.
See "Cycle Guide" and "Using Your Washer" in this "Use and Care Guide".		
Noises- For normal operating sounds, go to www.whirlpool.com/help		
Clicking or metallic noises	Objects caught in washer drain system.	Empty pockets before washing. Loose items such as coins could fall between basket and tub or may block pump. It may be necessary to call for service to remove items.
		It is normal to hear metal items on clothing such as metal snaps, buckles, or zippers touch against the stainless steel basket.
Gurgling or humming	Washer may be draining water.	It is normal to hear the pump making a continuous humming sound with periodic gurgling or surging as final amounts of water are removed during the spin/drain cycles.
Humming	The sensing light is on.	You may hear the hum of the sensing spins after you have started the washer. This is normal. Sensing spins will take several minutes before water is added to the washer.
Water Leaks		
Check the following for proper installation:	Washer not level.	Water may splash off basket if washer is not level.
	Fill hoses not attached tightly.	Tighten fill-hose connection.
	Fill hose washers	Make sure all four fill hose flat washers are properly seated.
	Drain hose connection	Pull drain hose from washer cabinet and properly secure it to drainpipe or laundry tub.
	Check household plumbing for leaks or clogged sink or drain.	Water can back up out of a clogged sink or drainpipe. Check all household plumbing for leaks (laundry tubs, drain pipe, water pipes, and faucets.)
	Washer not loaded properly.	Unbalanced loading can cause basket to be out of alignment and cause water to splash off tub. See "Using Your Washer" for loading instructions.
Washer not performing as expected		
Not enough water in washer	Load not completely covered in water.	This is normal operation for an HE low-water washer. The load will not be completely underwater. The washer senses load sizes and adds correct amount of water for optimal cleaning. See "What's New under the Lid." IMPORTANT: Do not add more water to washer. The added water lifts the load off the washplate, resulting in less cleaning.

TROUBLESHOOTING

⚠ WARNING



Electrical Shock Hazard

Plug into a grounded 3 prong outlet.

Do not remove ground prong.

Do not use an adapter.

Do not use an extension cord.

Failure to follow these instructions can result in death, fire, or electrical shock.

First try the solutions suggested here or visit our website at www.whirlpool.com/help for assistance and to possibly avoid a service call.

If you experience	Possible Causes	Solution
Washer not performing as expected (cont.)		
Washer won't run or fill, washer stops working or wash light remains on (indicating that the washer was unable to fill appropriately)	Check for proper water supply.	Both hoses must be attached and have water flowing to inlet valve.
		Both Hot and Cold water faucets must be turned on.
		Check that inlet valve screens have not become clogged.
		Check for any kinks in inlet hoses, which can restrict water flow.
	Check proper electrical supply.	Plug power cord into a grounded 3 prong outlet.
		Do not use an extension cord.
		Ensure there is power to outlet.
		Reset a tripped circuit breaker. Replace any blown fuses. NOTE: If problems continue, contact an electrician.
	Normal washer operation.	Lid must be closed for washer to run.
		Washer will pause during certain phases of cycle. Do not interrupt cycle.
		Washer may be stopped to reduce suds.
		The washer senses the dry load with short spins that may take 2 to 3 minutes before the water is added. You may hear the hum of the spins. This is normal.
	Washer may be tightly packed.	Remove several items, rearrange load evenly in basket. Close lid and press START/PAUSE/UNLOCK.
		Do not add more than 1 or 2 additional items after cycle has started.
		Do not add more water to the washer.
	Not using HE detergent or using too much HE detergent.	Only use HE detergent. Suds from regular detergents can slow or stop the washer. Always measure detergent and follow detergent directions based on your load requirements.
To remove suds, cancel cycle. Select RINSE & SPIN. Press START/PAUSE/UNLOCK. Do not add more detergent.		

TROUBLESHOOTING

First try the solutions suggested here or visit our website at www.whirlpool.com/help for assistance and to possibly avoid a service call.

If you experience	Possible causes	Solution
Washer not performing as expected (cont.)		
Washer not draining/spinning, loads are still wet or spin light remains on (indicating that the washer was unable to pump out water within ten minutes)	Empty pockets and use garment bags for small items.	Small items may have been caught in pump or between basket and tub, which can slow draining.
	Use a cycle with a low spin speed.	Cycles with lower spin speeds remove less water than cycles with high spin speeds. Use the recommended cycle/speed spin for your garment. To remove extra water in the load, select DRAIN & SPIN. Load may need to be rearranged to allow even distribution of the load in the basket.
	The washer may be tightly packed or unbalanced.	Tightly packed or unbalanced loads may not allow the washer to spin correctly, leaving the load wetter than normal. Evenly arrange the wet load for balanced spinning. Select DRAIN & SPIN to remove excess water. See "Using Your Washer" for loading recommendations.
	Check plumbing for correct drain hose installation. Drain hose extends into standpipe farther than 4.5" (114 mm).	Check drain hose for proper installation. Use drain hose form and securely attach to drainpipe or tub. Do not tape over drain opening. Lower drain hose if the end is higher than 96" (2.4 m) above the floor. Remove any clogs from drain hose.
	Wrong or too much detergent causing suds to slow or stop draining and spinning.	Use only HE detergent. Always measure and follow detergent directions for your load. To remove extra suds, select RINSE & SPIN. Do not add detergent.
Dry spots on load after cycle	High speed spins extract more moisture than traditional top-load washers.	The high spin speeds combined with air flow during the final spin can cause items near the top of the load to develop dry spots during the final spin. This is normal.
Incorrect or wrong wash or rinse temperatures	Check for proper water supply.	Make sure hot and cold inlet hoses are not reversed.
		Both hoses must be attached to both washer and faucet, and have both hot and cold water flowing to inlet valve.
		Check that inlet valve screens are not clogged.
		Remove any kinks in hoses.
	Energy saving controlled wash temperatures.	Energy Star washers use cooler wash and rinse water temperatures than your previous washer. This includes cooler hot and warm washes.
Load not rinsed	Check for proper water supply.	Make sure hot and cold inlet hoses are not reversed.
		Both hoses must be attached and have water flowing to the inlet valve.
		Both hot and cold water faucets must be on.
		Inlet valve screens on washer may be clogged.
		Remove any kinks in the inlet hose.
	Not using HE detergent or using too much HE detergent.	The suds from regular detergent can keep washer from operating correctly.
		Use only HE detergent. Be sure to measure correctly.
		Always measure detergent and follow detergent directions based on load size and soil level.
	Washer not loaded as recommended.	The washer is less efficient at rinsing when load is tightly packed.
		Load garments in loose heaps evenly around the basket wall. Load with dry items only.
		Use cycle designed for the fabrics being washed.
		Add only 1 or 2 garments after washer has started.

TROUBLESHOOTING

First try the solutions suggested here or visit our website at www.whirlpool.com/help for assistance and to possibly avoid a service call.

If you experience	Possible Causes	Solution
Washer not performing as expected (cont.)		
Sand, pet hair, lint, etc. on load after washing	Heavy sand, pet hair, lint, and detergent or bleach residues may require additional rinsing.	Add an Extra Rinse to the selected cycle.
Load is tangling	Washer not loaded as recommended.	See "Using Your Washer" section.
		See the "Cycle Guide" to match your load with the best cycle. Select a cycle with a slower wash action and spin speed; however, items will be wetter than those using a higher speed spin.
		Load garments in loose heaps evenly around the basket wall.
		Reduce tangling by mixing types of load items. Use the recommended cycle for the type of garments being washed.
Not cleaning or removing stains	Wash load not completely covered in water.	Washer senses load size and adds correct amount of water. This is normal and necessary for clothes to move.
	Added more water to washer.	Added water lifts the laundry off the washplate, resulting in less effective cleaning.
	Washer not loaded properly.	Washer is less efficient at rinsing when load is tightly packed.
		Load garments in loose heaps evenly around the basket wall. Load with dry items only.
		Add only 1 or 2 garments after washer has started.
	Not using HE detergent or using too much HE detergent.	The suds from regular detergent can keep washer from operating correctly.
		Use only HE detergent. Be sure to measure correctly.
		Always measure detergent and follow manufacturer's directions based on load size and soil level.
	Not using correct cycle for fabric type.	Use a higher soil level cycle option and warmer wash temperature to improve cleaning.
		If using Quick Wash cycle, wash only a few items.
		Use Whites and Heavy Duty cycle for tough cleaning.
		See the "Cycle Guide" to match your load with the best cycle.
Not using dispensers.	Use dispensers to avoid chlorine bleach and fabric softener staining.	
	Load dispensers before starting a cycle.	
	Avoid overfilling.	
	Do not add products directly onto load.	
Not washing like colors together.	Wash like colors together and remove promptly after the cycle is complete to avoid dye transfer.	
Small amount of water still in dispenser after cycle	Normal dispenser operation.	It is normal for small amounts of water to remain in dispenser.

TROUBLESHOOTING

First try the solutions suggested here or visit our website at www.whirlpool.com/help for assistance and to possibly avoid a service call.

If you experience	Possible Causes	Solution
Washer not performing as expected (cont.)		
Incorrect dispenser operation	Clogged dispensers or laundry products dispensing too soon.	<p>Do not overfill dispenser, which causes immediate dispensing.</p> <p>Always select Fabric Softener option to assure proper dispensing.</p> <p>Load dispensers before starting a cycle.</p> <p>Homes with low water pressure may result in residual powder in the dispenser. To avoid, select a warmer wash temperature if possible, depending on your load, or use liquid HE detergent.</p> <p>Use only liquid chlorine bleach in the bleach dispenser.</p>
	Residual powder in dispenser.	In wash water temperatures colder than 60° F (15.6° C), some detergents do not dissolve well. Soils may be difficult to remove. To avoid, select a warmer wash temperature if possible, depending on your load, or use liquid HE detergent.
Fabric damage	Sharp items were in pockets during wash cycle.	Empty pockets, zip zippers, and snap or hook fasteners before washing to avoid snags and tears.
	Strings and straps could have tangled.	Tie all strings and straps before starting wash load.
	Items may have been damaged before washing.	Mend rips and broken threads in seams before washing.
	Fabric damage can occur in a tightly packed load.	Load garments in loose heaps evenly around the basket wall. Load with dry items only.
		Use cycle designed for the fabrics being washed.
		Add only 1 or 2 garments after washer is started.
	Liquid chlorine bleach may have been added incorrectly.	Do not pour liquid chlorine bleach directly onto load. Wipe up bleach spills.
Undiluted bleach will damage fabrics. Do not use more than recommended by manufacturer.		
Do not place load items on top of bleach dispenser when loading and unloading washer.		
Garment care instructions may not have been followed.	Always read and follow garment manufacturer's care label instructions. See the "Cycle Guide" to match your load with the best cycle.	
No sound when buttons are pressed	Button sounds are turned off.	Button sounds can be turned on or off by pressing and holding Cycle Signal for 5 seconds.
Odors	Monthly maintenance not done as recommended.	Run the Clean Washer cycle with AFFRESH™ monthly. See "Cleaning Your Washer" in "Washer Maintenance".
		Unload washer as soon as cycle is complete.
	Using wrong or too much detergent.	Use only HE detergent. Be sure to measure correctly.
		<p>Always follow the manufacturer's directions.</p> <p>See "Cleaning your Washer" section.</p>
Lid Locked light is flashing.	The lid is not closed.	Close the lid. The washer will not start or fill with the lid open.
	A cycle was stopped or paused using the START/PAUSE/UNLOCK button.	The washer may still be spinning. The lid will not unlock until the basket has stopped spinning. This may take several minutes if washing large loads or heavy fabrics.

WHIRLPOOL CORPORATION LAUNDRY WARRANTY

LIMITED WARRANTY

For one year from the date of purchase, when this major appliance is operated and maintained according to instructions attached to or furnished with the product, Whirlpool Corporation or Whirlpool Canada LP (hereafter "Whirlpool") will pay for Factory Specified Parts and repair labor to correct defects in materials or workmanship that existed when this major appliance was purchased. Service must be provided by a Whirlpool designated service company. YOUR SOLE AND EXCLUSIVE REMEDY UNDER THIS LIMITED WARRANTY SHALL BE PRODUCT REPAIR AS PROVIDED HEREIN. This limited warranty is valid only in the United States or Canada and applies only when the major appliance is used in the country in which it was purchased. Proof of original purchase date is required to obtain service under this limited warranty.

ITEMS EXCLUDED FROM WARRANTY

This limited warranty does not cover:

1. Replacement parts or repair labor if this major appliance is used for other than normal, single-family household use or when it is used in a manner that is inconsistent to published user or operator instructions and/or installation instructions.
 2. Service calls to correct the installation of your major appliance, to instruct you on how to use your major appliance, to replace or repair house fuses, or to correct house wiring or plumbing.
 3. Service calls to repair or replace appliance light bulbs, air filters or water filters. Consumable parts are excluded from warranty coverage.
 4. Damage resulting from accident, alteration, misuse, abuse, fire, flood, acts of God, improper installation, installation not in accordance with electrical or plumbing codes, or use of products not approved by Whirlpool.
 5. Cosmetic damage, including scratches, dents, chips or other damage to the finish of your major appliance, unless such damage results from defects in materials or workmanship and is reported to Whirlpool within 30 days from the date of purchase.
 6. Pick up and delivery. This major appliance is intended to be repaired in your home.
 7. Repairs to parts or systems resulting from unauthorized modifications made to the appliance.
 8. Expenses for travel and transportation for product service if your major appliance is located in a remote area where service by an authorized Whirlpool servicer is not available.
 9. The removal and reinstallation of your major appliance if it is installed in an inaccessible location or is not installed in accordance with Whirlpool's published installation instructions.
 10. Replacement parts or repair labor on major appliances with original model/serial numbers that have been removed, altered, or cannot be easily determined.
-

DISCLAIMER OF IMPLIED WARRANTIES

IMPLIED WARRANTIES, INCLUDING ANY IMPLIED WARRANTY OF MERCHANTABILITY OR IMPLIED WARRANTY OF FITNESS FOR A PARTICULAR PURPOSE, ARE LIMITED TO ONE YEAR OR THE SHORTEST PERIOD ALLOWED BY LAW. Some states and provinces do not allow limitations on the duration of implied warranties of merchantability or fitness, so this limitation may not apply to you. This warranty gives you specific legal rights, and you also may have other rights that vary from state to state or province to province.

LIMITATION OF REMEDIES; EXCLUSION OF INCIDENTAL AND CONSEQUENTIAL DAMAGES

YOUR SOLE AND EXCLUSIVE REMEDY UNDER THIS LIMITED WARRANTY SHALL BE PRODUCT REPAIR AS PROVIDED HEREIN. WHIRLPOOL SHALL NOT BE LIABLE FOR INCIDENTAL OR CONSEQUENTIAL DAMAGES. Some states and provinces do not allow the exclusion or limitation of incidental or consequential damages, so these limitations and exclusions may not apply to you. This warranty gives you specific legal rights, and you also may have other rights that vary from state to state or province to province.

If outside the 50 United States and Canada, contact your authorized Whirlpool dealer to determine if another warranty applies.

If you think you need repair service, first see the "Troubleshooting" section of the Use & Care Guide. If you are unable to resolve the problem after checking "Troubleshooting," additional help can be found by checking the "Assistance or Service" section or by calling Whirlpool. In the U.S.A., call **1-800-253-1301**. In Canada, call **1-800-807-6777**. 7/08

Keep this book and your sales slip together for future reference. You must provide proof of purchase or installation date for in-warranty service.

Write down the following information about your major appliance to better help you obtain assistance or service if you ever need it. You will need to know your complete model number and serial number. You can find this information on the model and serial number label located on the product.

Dealer name _____

Address _____

Phone number _____

Model number _____

Serial number _____

Purchase date _____

SÉCURITÉ DE LA LAVEUSE

Votre sécurité et celle des autres est très importante.

Nous donnons de nombreux messages de sécurité importants dans ce manuel et sur votre appareil ménager. Assurez-vous de toujours lire tous les messages de sécurité et de vous y conformer.



Voici le symbole d'alerte de sécurité.

Ce symbole d'alerte de sécurité vous signale les dangers potentiels de décès et de blessures graves à vous et à d'autres.

Tous les messages de sécurité suivront le symbole d'alerte de sécurité et le mot "DANGER" ou "AVERTISSEMENT". Ces mots signifient :

! DANGER

Risque possible de décès ou de blessure grave si vous ne suivez pas immédiatement les instructions.

! AVERTISSEMENT

Risque possible de décès ou de blessure grave si vous ne suivez pas les instructions.

Tous les messages de sécurité vous diront quel est le danger potentiel et vous disent comment réduire le risque de blessure et ce qui peut se produire en cas de non-respect des instructions.

IMPORTANTES INSTRUCTIONS DE SÉCURITÉ

AVERTISSEMENT : Pour réduire les risques d'incendie, de choc électrique ou de blessures lors de l'utilisation de la laveuse, suivre les précautions fondamentales dont les suivantes :

- Lire toutes les instructions avant d'utiliser la laveuse.
- Ne pas laver des articles qui ont été nettoyés ou lavés avec de l'essence ou imbibés d'essence, solvants de nettoyage à sec, ou autres substances inflammables ou explosives; ces substances peuvent émettre des vapeurs susceptibles de s'enflammer ou d'exploser.
- Ne pas ajouter d'essence, solvant de nettoyage à sec ou autre produit inflammable ou explosif dans l'eau de lavage. Ces substances peuvent émettre des vapeurs susceptibles de s'enflammer ou d'exploser.
- Dans certaines conditions, de l'hydrogène gazeux peut se former dans un circuit d'eau chaude qui n'a pas été utilisé pendant 2 semaines ou plus. LE GAZ HYDROGÈNE EST EXPLOSIBLE. Si le circuit d'eau chaude n'a pas été utilisé pendant une telle période, avant d'utiliser la laveuse, ouvrir tous les robinets d'eau chaude et laisser l'eau s'écouler pendant plusieurs minutes par chaque robinet. Ceci permettra l'évacuation de l'hydrogène gazeux accumulé. Comme ce gaz est inflammable, ne pas fumer ou utiliser une flamme nue au cours de cette période.
- Ne pas laisser des enfants jouer sur ou à l'intérieur de la laveuse. Bien surveiller les enfants lorsque la laveuse est utilisée à proximité d'enfants.
- Avant de mettre la laveuse au rebut ou hors de service, enlever la porte ou le couvercle.
- Ne pas tenter d'atteindre un article à l'intérieur de la cuve de la laveuse lorsque le tambour, la cuve ou l'agitateur est en mouvement.
- Ne pas installer ou remiser cette laveuse à un endroit où elle serait exposée aux intempéries.
- Ne pas modifier les organes de commande.
- Ne pas réparer ou remplacer un composant quelconque de la laveuse, ni entreprendre une opération de service, si ce n'est spécifiquement recommandé dans ce manuel ou dans un manuel d'instructions de réparations destiné à l'utilisateur; il est alors essentiel que la personne concernée comprenne ces instructions et soit compétente pour les exécuter.
- Pour les instructions de liaison à la terre, voir "Spécifications électriques" dans les instructions d'installation.

CONSERVEZ CES INSTRUCTIONS

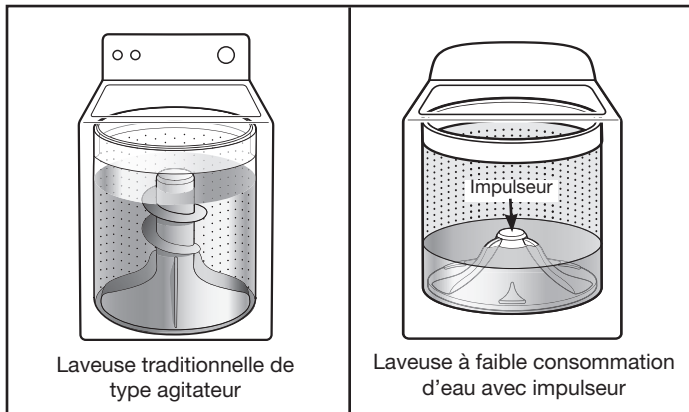
State of California Proposition 65 Warnings:

WARNING: This product contains one or more chemicals known to the State of California to cause cancer.

WARNING: This product contains one or more chemicals known to the State of California to cause birth defects or other reproductive harm.

QUOI DE NEUF SOUS LE COUVERCLE?

Nettoyer avec moins d'eau



La nouveauté la plus flagrante de cette nouvelle laveuse est son système de lavage à faible consommation d'eau avec impulseur. La laveuse ajuste automatiquement le niveau d'eau en fonction de la taille de la charge - nul besoin de sélecteur de niveau d'eau.

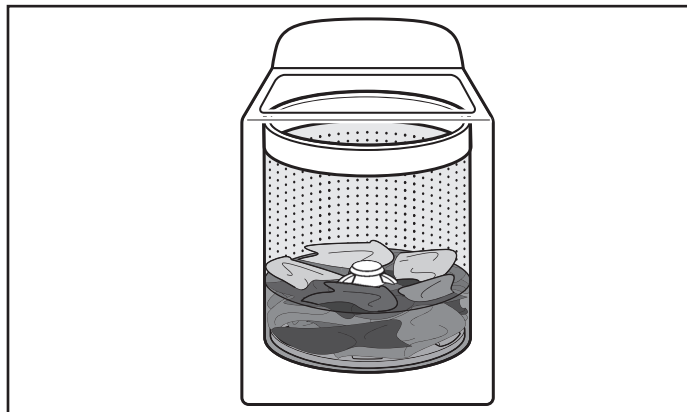


Lorsque l'on charge la laveuse de linge sale, celui-ci doit être réparti uniformément le long des parois du panier.

Détection automatique de taille de charge

Une fois que l'on démarre le programme, le couvercle se verrouille et la laveuse entame un processus de détection pour déterminer le niveau d'eau approprié à la charge. Cela peut prendre plusieurs minutes avant que l'eau ne soit ajoutée. Voir la description pas-à-pas dans la section "Témoins lumineux de programme".

Vous entendrez le moteur faire tourner le panier par de brefs mouvements d'impulsion pour bien imbiber la charge. Cette méthode de lavage avec faible consommation d'eau utilise moins d'eau et d'énergie qu'une laveuse traditionnelle de type agitateur.



À mesure que la laveuse imbibe et déplace la charge, les vêtements se tassent dans le panier. Ceci est normal et ne signifie pas que l'on doit rajouter des vêtements.

IMPORTANT : Le panier de la laveuse ne sera pas rempli d'eau, comme avec votre précédente laveuse de type agitateur.

Choix du détergent approprié

Utiliser uniquement des détergents Haute efficacité. L'emballage portera la mention "HE" ou "High Efficiency" (haute efficacité). Un lavage avec faible consommation d'eau produit un excès de mousse avec un détergent non HE ordinaire. Il est probable que l'utilisation d'un détergent ordinaire prolongera la durée des programmes et réduira la performance de rinçage. Ceci peut aussi entraîner des défaillances des composants et une moisissure perceptible. Les détergents HE sont conçus pour produire la quantité de mousse adéquate pour le meilleur rendement. Suivre les recommandations du fabricant pour déterminer la quantité de détergent à utiliser.



Utiliser uniquement un détergent Haute efficacité (HE).

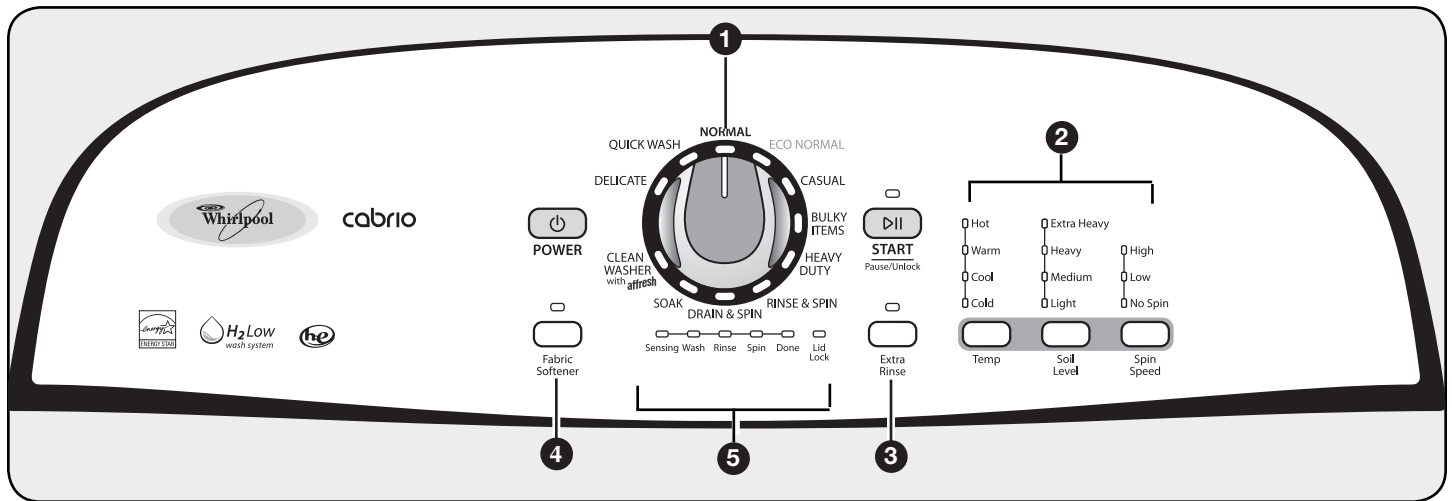
Nettoyage concentré

Le système de lavage à faible consommation d'eau signifie un lavage concentré. Plutôt que de diluer du détergent comme dans une laveuse de type agitateur, cette laveuse libère le détergent directement sur les endroits souillés.

Sons normaux prévisibles

Au cours des différents stades du programme de lavage, vous entendrez peut-être des bruits que votre laveuse précédente ne produisait pas. Par exemple, vous entendrez peut-être un cliquetis au début du programme lorsque le système de verrouillage du couvercle effectue un test automatique. On entendra différents bourdonnements et bruits de frottements rythmiques à mesure que l'impulseur déplace la charge. Parfois, il est possible que la laveuse soit complètement silencieuse, lorsqu'elle détermine le niveau d'eau adéquat ou qu'elle laisse tremper les vêtements.

TABLEAU DE COMMANDE ET CARACTÉRISTIQUES



1 BOUTON DE PROGRAMME DE LAVAGE

Utiliser le bouton de programme pour sélectionner les programmes disponibles de la laveuse un programme correspondant à la charge de linge. Tourner le bouton pour sélectionner un cycle de charge de linge. Voir "Guide de programmes" pour des descriptions de programmes détaillées.

2 OPTIONS DE PROGRAMMES

Lorsqu'on sélectionne un programme, ses réglages par défaut s'allument. Certains programmes et options ne sont pas disponibles sur certains modèles.

TEMP (Température)

La fonction de contrôle de température détecte et maintient une température uniforme de l'eau en régulant le débit d'arrivée d'eau chaude et d'eau froide.

Sélectionner une température de lavage en fonction du type de tissu et de saleté à laver. Pour des résultats optimaux, suivre les instructions sur l'étiquette du vêtement et utiliser la température d'eau de lavage la plus chaude possible qui reste sans danger pour le tissu.

- Les températures de l'eau tiède et de l'eau chaude seront inférieures à celles de votre précédente laveuse.
- Même avec un réglage de lavage à l'eau froide, il est possible que de l'eau tiède soit ajoutée à la laveuse pour maintenir une température minimale.

SOIL LEVEL (Niveau de saleté)

Le Niveau de saleté (durée de lavage) est pré-réglé pour chaque programme de lavage.

Pour la plupart des charges, utiliser le niveau de saleté pré-réglé pour le programme choisi. Pour les tissus très sales et robustes, appuyer sur Soil Level (Niveau de saleté) pour prolonger la durée de lavage si nécessaire. Pour les tissus peu sales et délicats, appuyer sur Soil Level (Niveau de saleté) pour abréger la durée de lavage si nécessaire. Un réglage de niveau de saleté inférieur aidera à réduire l'emmêlement et le froissement.

SPIN SPEED (Vitesse d'essorage)

Cette laveuse sélectionne automatiquement la Vitesse d'essorage en fonction du programme sélectionné. Les vitesses pré-réglées peuvent être modifiées. Sur certains programmes, certaines vitesses d'essorage ne sont pas disponibles.

- Des vitesses d'essorage plus élevées signifient des durées de séchage plus courtes mais elles peuvent augmenter le froissement de la charge.
- Des vitesses d'essorage plus lentes signifient moins de froissement mais laissent la charge plus humide.

On peut aussi ajouter ou supprimer des options pour chaque programme. Noter que certaines options ne peuvent pas être utilisées avec certains programmes, et que certaines d'entre elles sont pré-réglées pour ne fonctionner qu'avec certains programmes.

3 EXTRA RINSE (Rinçage supplémentaire)

On peut utiliser cette option pour ajouter automatiquement un second rinçage à la plupart des programmes.

4 FABRIC SOFTENER (Assouplissant pour tissu)

Cette option doit être sélectionnée si l'on utilise de l'assouplissant pour tissu durant un programme. Ceci garantit que l'assouplissant pour tissu est ajouté au bon moment lors du rinçage pour être correctement distribué.

5 TÉMOINS LUMINEUX DES PROGRAMMES

Les témoins lumineux indiquent la progression du programme. À chaque étape du processus, il est possible que l'on remarque des pauses ou des sons différents de ceux que l'on remarque avec des laveuses ordinaires.



Sensing Wash Rinse Spin Done

SENSING (Détection)



Lorsqu'on appuie sur le bouton START (Mise en marche), la laveuse effectue un test automatique sur le mécanisme de verrouillage du couvercle. On entend un dé clic, le panier effectue un léger tour, et le couvercle se déverrouille brièvement avant de se verrouiller à nouveau.

Une fois le couvercle verrouillé pour la deuxième fois, la laveuse utilise des essorages lents et courts pour estimer le volume de la charge. Ces essorages de détection peuvent prendre 2 à 3 minutes avant que de l'eau ne soit ajoutée à la charge et les essorages peuvent émettre un bourdonnement. Si le témoin lumineux de détection est allumé, cela signifie que la laveuse fonctionne correctement. On entend le moteur qui fait tourner le panier par de courtes impulsions pour mouiller l'intégralité de la charge. La laveuse déplace ensuite brièvement la charge, fait une pause pour permettre à l'eau de tremper la charge, et continue à ajouter de l'eau. Ce processus peut se répéter jusqu'à ce que la quantité d'eau correcte ait été ajoutée à la charge. Il est aussi possible que l'on entende de l'eau couler dans le distributeur, ajoutant le détergent à la charge.

REMARQUE : Éviter d'ouvrir le couvercle pendant la détection de la charge. Le processus de détection reprend depuis le début quand la laveuse est remise en marche. Le témoin de détection peut s'allumer également lors des étapes de trempage et de lavage du programme. Ceci est normal.

WASH (Lavage)



On entend le moteur et le plateau de lavage déplacer la charge. Contrairement aux laveuses ordinaires, la charge n'est pas complètement submergée dans l'eau. Un nettoyage avec faible niveau d'eau signifie un nettoyage concentré. Plutôt que de diluer du détergent comme dans une laveuse de type agitateur, cette laveuse libère le détergent directement sur les endroits souillés. Les bruits émis par le moteur peuvent changer lors des différentes étapes du programme. La durée de lavage est déterminée par le niveau de saleté sélectionné.

RINSE (Rinçage)



On entend des sons similaires à ceux entendus lors du programme de lavage à mesure que la laveuse rince et déplace la charge. Vous pouvez entendre le moteur tourner brièvement pour déplacer le panier pendant le remplissage. L'assouplissant pour tissu sera distribué si l'option Fabric Softener (Assouplissant pour tissu) a été sélectionnée. Quelques programmes utilisent un rinçage par vaporisation.

SPIN (Essorage)



La laveuse essore la charge à des vitesses augmentant graduellement pour une bonne extraction de l'eau, en fonction du programme et de la vitesse d'essorage sélectionnée.

DONE (Terminé)

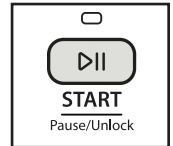


Une fois le programme terminé, ce témoin s'allume. Retirer la charge rapidement pour un résultat optimal.

LID LOCK (Verrouillage de couvercle)

Pour permettre une bonne détection de la charge, le couvercle se verrouille et le témoin de Verrouillage du couvercle s'allume. Ce témoin lumineux indique que le couvercle est verrouillé et ne peut être ouvert.

Si l'on doit ouvrir le couvercle, appuyer sur START/PAUSE/UNLOCK (Mise en marche/pause/déverrouillage). Le couvercle se déverrouille une fois que le mouvement de la laveuse a cessé. Il se peut que cela prenne plusieurs minutes si la laveuse essorait la charge à grande vitesse. Appuyer de nouveau sur START/PAUSE/UNLOCK (Mise en marche/pause/déverrouillage) pour poursuivre le programme.



GUIDE DE PROGRAMMES

Les réglages et options indiqués en **gras** sont les réglages par défaut pour ce programme. Pour un meilleur soin des tissus, choisir le programme qui convient le mieux à la charge à laver.

Certains programmes et options ne sont pas disponibles sur certains modèles.

Articles à laver :	Programme :	Température de lavage/rinçage :	Vitesse d'essorage :	Niveau de saleté :	Options disponibles :	Détails du programme :
Articles en soie lavables en machine, tissus lavables à la main	Delicates (Articles délicats)	Chaude/froide Tiède/froide Fraîche/froide Froide/froide	Élevée Basse Pas d'essorage	Très élevé Élevé Moyen Léger	Rinçage supplémentaire	Utiliser ce programme pour laver des vêtements légèrement sales dont l'étiquette de soin indique "Soie lavable en machine" ou "Programme délicat". Placer les petits articles dans des sacs en filet avant le lavage. Ce programme utilise un niveau d'eau prédéterminé plus haut.
Petites charges, coton, polyester, pressage permanent	Quick Wash (Rafraîchissement lavage)	Chaude/froide Tiède/froide Fraîche/froide Froide/froide	Élevée Basse Pas d'essorage	Très élevé Élevé Moyen Léger	Rinçage supplémentaire	Utiliser ce programme pour laver de petites charges légèrement sales composées de 2 à 3 articles dont on a besoin rapidement. Ce programme utilise des rinçages par vaporisation.
Articles en coton, linge de maison, draps et charges mixtes	Normal	Chaude/froide Tiède/froide Fraîche/froide Froide/froide	Élevée	Très élevé Élevé Moyen Léger	Rinçage supplémentaire	Utiliser ce programme pour les articles en coton et les charges de tissus mixtes présentant un degré de saleté normal. Ce programme utilise des rinçages par vaporisation. L'essorage à basse vitesse n'est pas disponible.
Articles en coton, draps et charges mixtes	Eco Normal	Chaude/froide Tiède/froide Fraîche/froide Froide/froide	Élevée Pas d'essorage	Très élevé Élevé Moyen Léger	Rinçage supplémentaire	Le programme Éco-Normal permet d'augmenter les économies d'énergie par comparaison avec le programme Normal. Lorsqu'on utilise ce programme, le programme de lavage utilise une eau de lavage plus froide que le programme Normal.
Articles non repassables, articles en coton, de pressage permanent, linge de maison, tissus synthétiques	Casual (Tout-aller)	Chaude/froide Tiède/froide Fraîche/froide Froide/froide	Élevée Basse Pas d'essorage	Très élevé Élevé Moyen Léger	Rinçage supplémentaire	Utiliser ce programme pour laver des charges de vêtements qui ne se repassent pas tels que chemises de sport, chemisiers, vêtements de travail tout-aller, articles à pressage permanent et mélanges de tissus.
Articles de grande taille tels que les sacs de couchage, les petits duvets, les vestes	Bulky Items (Articles volumineux)	Chaude/froide Tiède/froide Fraîche/froide Froide/froide	Élevée Basse Pas d'essorage	Très élevé Élevé Moyen Léger	Rinçage supplémentaire	Utiliser ce programme pour laver de gros articles tels que des vestes et de petites couettes. La laveuse se remplit de suffisamment d'eau pour mouiller la charge avant que la portion de lavage du programme ne commence. Ne pas surcharger le panier.
Tissus résistants, articles grand-teint, serviettes, jeans	Heavy Duty (Service intense)	Chaude/froide Tiède/froide Fraîche/froide Froide/froide	Élevée Basse Pas d'essorage	Très élevé Élevé Moyen Léger	Rinçage supplémentaire	Utiliser ce programme pour les articles très sales ou robustes. Le processus de détection du niveau d'eau peut prendre plus longtemps pour certains articles que pour d'autres car ils absorbent plus d'eau que d'autres types de tissu.

Options de Température de lavage/rinçage :

Chaude/froide (Hot/Cold)
Tiède/froide (Warm/Cold)
Fraîche/froide (Cool/Cold)
Froide/froide (Cold/Cold)

Options de Vitesse d'essorage :

Élevée (High)
Basse (Low)
Pas d'essorage (No Spin)

Options de Niveau de saleté :

Très élevé (Very Heavy)
Élevé (Heavy)
Moyen (Medium)
Léger (Light)

Options disponibles :

Rinçage supplémentaire (Extra Rinse)

GUIDE DE PROGRAMMES

Les réglages et options indiqués en **gras** sont les réglages par défaut pour ce programme. Pour un meilleur soin des tissus, choisir le programme qui convient le mieux à la charge à laver.

Certains programmes et options ne sont pas disponibles sur certains modèles.

Articles à laver :	Programme :	Température de lavage/ rinçage :	Vitesse d'essorage	Niveau de saleté :	Options disponibles :	Détails du programme :
Maillots et articles nécessitant un rinçage sans détergent	Rinse & Spin (Rinçage et essorage)	Froide/Froide	Élevée Basse Pas d'essorage			Combine un rinçage et un essorage pour les charges nécessitant un programme de rinçage supplémentaire ou pour finir de prendre soin d'une charge après une coupure de courant. La vitesse d'essorage est réglable. Ce programme utilise un niveau d'eau prédéterminé plus haut. Utiliser également pour les charges nécessitant uniquement un rinçage.
Articles lavés à la main et les articles très humides	Drain & Spin (Vidange et essorage)		Élevée Basse Pas d'essorage			Ce programme utilise un essorage pour réduire les durées de séchage pour les tissus lourds et les articles lavés à la main nécessitant un soin spécial. Utiliser ce programme pour vidanger la laveuse après avoir annulé un programme ou terminé un programme après une coupure de courant.
Tissus très sales	Soak (Trempage)	Chaude/froide Tiède/froide Fraîche/froide Froide/froide	Pas d'essorage	Très élevé Élevé Moyen Léger		Utiliser ce programme pour faire tremper les petites taches tenaces sur les tissus. Une fois la durée expirée, la laveuse évacue l'eau mais elle n'effectue pas d'essorage. Pour régler un programme à la suite d'un autre, sélectionner Drain & Spin (vidange et essorage), ajouter du détergent et sélectionner un programme en fonction du type de tissu.
Pas de vêtements dans la laveuse	Clean Washer with Affresh™ (Nettoyage de la laveuse avec Affresh™)	Chaude/froide	Élevée	Très élevé		Utiliser ce programme une fois par mois pour que l'intérieur de la laveuse reste frais et propre. L'association de niveaux d'eau plus élevés et du produit Affresh™ permet de laver soigneusement l'intérieur de la laveuse.

Options de Température de lavage/rinçage :

Chaude/froide (Hot/Cold)
Tiède/froide (Warm/Cold)
Fraîche/froide (Cool/Cold)
Froide/froide (Cold/Cold)

Options de Vitesse d'essorage :

Élevée (High)
Basse (Low)
Pas d'essorage (No Spin)

Options de Niveau de saleté :

Très élevé (Very Heavy)
Élevé (Heavy)
Moyen (Medium)
Léger (Light)

Options disponibles :

Rinçage supplémentaire (Extra Rinse)

UTILISATION DE LA LAVEUSE

⚠ AVERTISSEMENT



Risque d'incendie

Ne jamais mettre des articles humectés d'essence ou d'autres fluides inflammables dans la laveuse.

Aucune laveuse ne peut complètement enlever l'huile.

Ne pas faire sécher des articles qui ont été salis par tout genre d'huile (y compris les huiles de cuisson).

Le non-respect de ces instructions peut causer un décès, une explosion ou un incendie.

⚠ AVERTISSEMENT



Risque de choc électrique

Brancher sur une prise à 3 alvéoles reliée à la terre.

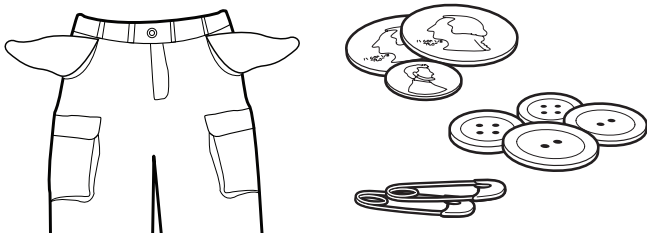
Ne pas enlever la broche de liaison à la terre.

Ne pas utiliser un adaptateur.

Ne pas utiliser un câble de rallonge.

Le non-respect de ces instructions peut causer un décès, un incendie ou un choc électrique.

1. Trier et préparer le linge



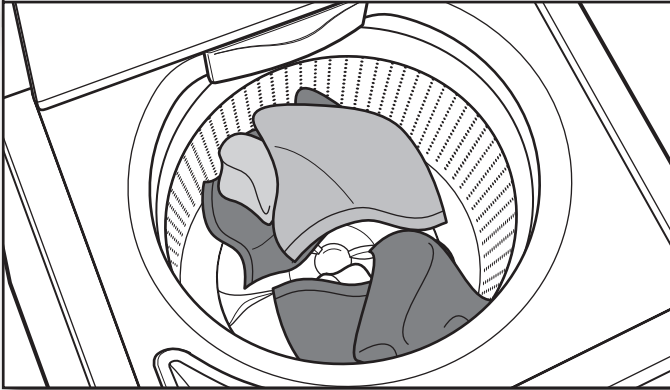
- Vider les poches. Des pièces de monnaie, des boutons ou objets de petite taille sont susceptibles de glisser sous l'impulseur et de s'y coincer, ce qui peut entraîner des bruits inattendus.
- Trier les articles en fonction du programme et de la température d'eau recommandés, ainsi que de la solidité des teintures.
- Séparer les articles très sales des articles peu sales.
- Séparer les articles délicats des tissus résistants.
- Ne pas sécher les vêtements si les taches sont toujours présentes après le lavage car la chaleur pourrait fixer les taches sur le tissu.
- Traiter les taches sans délai.
- Fermer les fermetures à glissière, attacher les crochets, cordons et ceintures en tissu. Ôter les garnitures et les ornements non lavables.
- Réparer les déchirures pour éviter que les articles ne s'endommagent encore davantage lors du lavage.

Conseils utiles :

- Lors du lavage d'articles imperméables ou résistants à l'eau, charger la machine de façon uniforme. Voir "Guide de programmes" pour des conseils et pour plus d'informations sur l'utilisation du programme Bulky Items (articles volumineux).
- Utiliser des sacs en filet pour aider à empêcher l'emmêlement lors du lavage d'articles délicats ou de petits articles.
- Retourner les tricotés pour éviter le boulochage. Séparer les articles qui forment la charpie de ceux qui la retiennent. Les articles synthétiques, tricotés et articles en velours retiennent la charpie provenant des serviettes, des tapis et des tissus chenille.

REMARQUE : Toujours lire et suivre les instructions des étiquettes de soin des tissus pour éviter d'endommager les vêtements.

2. Charger les vêtements dans la laveuse



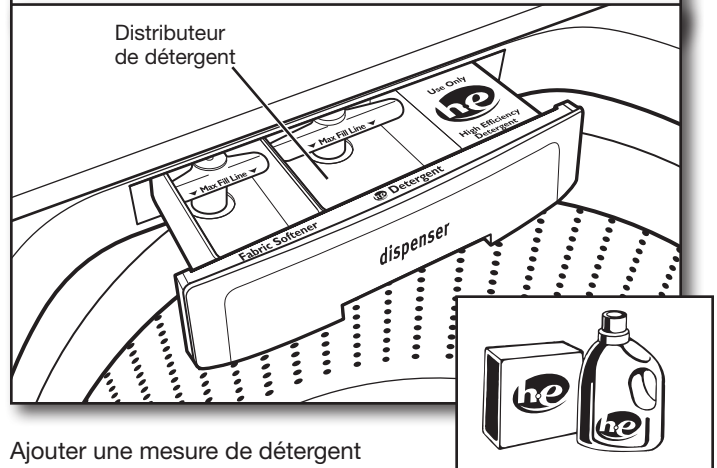
Charger les vêtements sans les tasser et de façon uniforme le long de la paroi du panier. Ne pas enrouler les grands articles tels que les draps autour de l'impulseur; les placer le long des côtés du panier en tas non serrés. Essayer de mélanger différents types d'articles pour réduire l'emmêlement.

IMPORTANT : Les articles doivent pouvoir se déplacer librement pour un nettoyage optimal et pour réduire le froissement et l'emmêlement.



Utilisation des distributeurs de produits de lessive

3. Verser le détergent HE dans le distributeur



Ajouter une mesure de détergent HE dans le distributeur de détergent.

La capacité de ce tiroir est de 3 oz (89 mL). Ne pas faire remplir excessivement le tiroir – le fait d'ajouter trop de détergent peut entraîner sa distribution prématurée dans la laveuse.

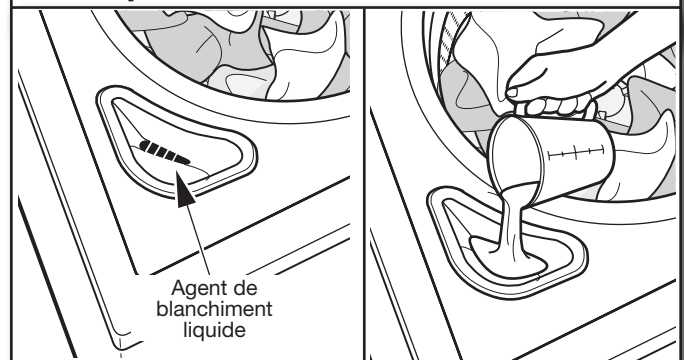
IMPORTANT : Utiliser uniquement des détergents Haute efficacité. L'emballage portera la mention "HE" ou "High Efficiency" (haute efficacité). Un lavage avec faible consommation d'eau produit un excès de mousse avec un détergent non HE ordinaire. Il est probable que l'utilisation d'un détergent ordinaire prolongera la durée des programmes et réduira la performance de rinçage. Ceci peut aussi entraîner des défaillances des composants et une moisissure perceptible. Les détergents HE sont conçus pour produire la quantité de mousse adéquate pour le meilleur rendement.

Utilisation d'Oxi ou d'agent de blanchiment sans danger pour les couleurs :

Si l'on utilise un agent de blanchiment activateur de détergent sans danger pour les couleurs, l'ajouter au fond du panier de la laveuse avant d'ajouter les vêtements.

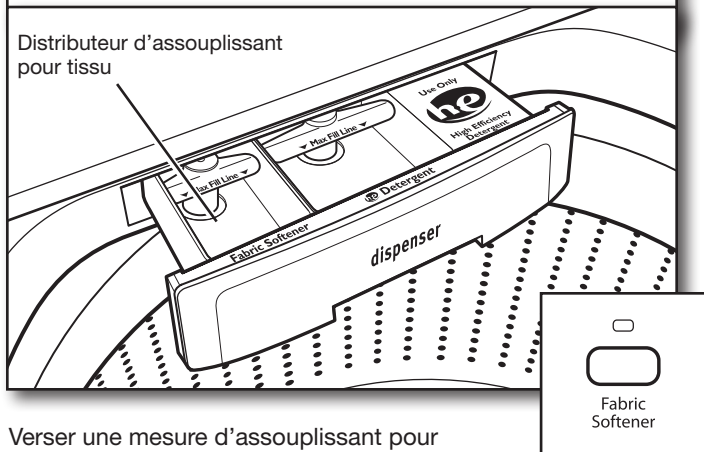
CONSEIL UTILE : Voir "Entretien de la laveuse" pour plus d'information sur la méthode recommandée pour le nettoyage des distributeurs de la laveuse.

4. Ajouter l'agent de blanchiment liquide dans le distributeur



Ne pas remplir excessivement le distributeur ni utiliser plus de une tasse (250 mL) d'agent de blanchiment liquide au chlore. Ne pas utiliser d'agent de blanchiment sans danger pour les couleurs ni de produit Oxi avec un programme utilisant de l'agent de blanchiment au chlore liquide.

5. Verser de l'assouplissant pour tissu dans le distributeur



Verser une mesure d'assouplissant pour tissu liquide dans le distributeur – toujours suivre les instructions du fabricant concernant la dose d'assouplissant pour tissu à utiliser en fonction de la taille de la charge. Fermer le tiroir du distributeur, sélectionner ensuite l'option Fabric Softener (assouplissant pour tissu).

IMPORTANT : L'option Assouplissant pour tissu (Fabric Softener) doit être sélectionnée pour que le produit soit distribué correctement et au moment adéquat du programme. Ne pas remplir le distributeur excessivement ni diluer le produit. Si l'on sélectionne l'option Extra Rinse (rinçage supplémentaire), l'assouplissant de tissu sera distribué au cours du dernier rinçage.

Il est normal qu'il reste une petite quantité d'eau dans le distributeur une fois le programme terminé.

Mise en marche de la laveuse

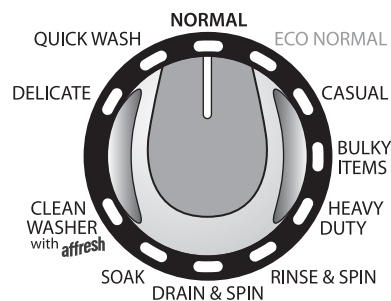
6. Appuyer sur POWER pour mettre la laveuse en marche



POWER

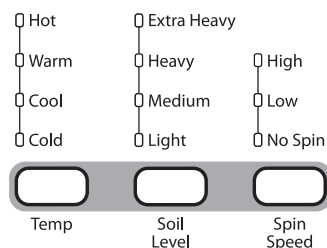
S'assurer que le tiroir distributeur est complètement fermé, puis appuyer sur POWER (mise sous tension) pour mettre la laveuse en marche.

7. Sélectionner le programme



Tourner le bouton de programme pour choisir un programme de lavage. Pour plus de renseignements, voir "Tableau de commande".

8. Sélectionner les réglages de programme




Après avoir sélectionné un programme, les réglages par défaut correspondant à ce programme s'allument. Appuyer sur les boutons de réglage du programme pour modifier le niveau de saleté et la vitesse d'essorage la température si désiré.


REMARQUE : Toujours lire et suivre les instructions des étiquettes de soin des tissus pour éviter d'endommager les vêtements.

Wash Temp (température de lavage)	Tissus suggérés
Chaude De l'eau froide est ajoutée pour économiser de l'énergie. Ceci sera plus froid que le réglage du chauffe-eau pour l'eau chaude de votre domicile.	Blancs et couleurs claires Vêtements durables Saleté intense
Tiède De l'eau froide sera ajoutée; il est donc possible que l'eau soit plus froide que celle que fournissait votre laveuse précédente.	Couleurs vives Saleté modérée à légère
Fraîche - couleurs claires/foncées Il se peut que de l'eau chaude soit ajoutée pour favoriser l'élimination de la saleté et aider à dissoudre les détergents.	Couleurs vives ou foncées qui déteignent ou s'atténuent Saleté légère
Froide De l'eau tiède est ajoutée pour favoriser l'élimination de la saleté et aider à dissoudre les détergents.	Couleurs foncées qui déteignent ou s'atténuent Saleté légère

9. Sélectionner les options de programme



Fabric Softener




Extra Rinse

Sélectionner les autres options de programme que l'on souhaite ajouter, si ce n'est pas déjà fait. Certains programmes ajoutent automatiquement certaines options telles que Extra Rinse (rinçage supplémentaire). Elles peuvent être désactivées si désiré.

REMARQUE : Toutes les options ne sont pas disponibles avec tous les programmes.

10. Appuyer sur START/Pause/Unlock pour démarrer le programme de lavage



Appuyer sur le bouton START/PAUSE/UNLOCK (mise en marche/pause/déverrouillage) pour démarrer le programme de lavage. Le remplissage est retardé de plusieurs minutes pendant que le niveau d'équilibre de la charge est détecté. Lorsque le programme est terminé, le témoin lumineux DONE (terminé) s'allume. Retirer rapidement les vêtements une fois le programme terminé pour éviter la formation d'odeurs, réduire le froissement et empêcher les crochets métalliques, fermetures à glissière et boutons-pression de rouiller.

Déverrouiller le couvercle pour ajouter les vêtements

Si l'on doit ouvrir le couvercle pour ajouter 1 ou 2 vêtements oubliés :

Appuyer sur START/PAUSE/UNLOCK (mise en marche/pause/déverrouillage); le couvercle se déverrouille une fois que le mouvement de la laveuse a cessé. Ceci peut prendre plusieurs minutes si la laveuse essorait la charge à grande vitesse. Fermer ensuite le couvercle et appuyer de nouveau sur START/PAUSE/UNLOCK (mise en marche/pause/déverrouillage) pour redémarrer le programme.

Si on laisse le couvercle ouvert pendant plus de 10 minutes, l'eau est vidangée automatiquement.

Retard dans le remplissage

Le remplissage est retardé de 2 à 3 minutes pendant que la machine détecte tout déséquilibre éventuel de la charge. Les essorages émettent un bourdonnement avant le remplissage. Ceci correspond au fonctionnement normal de la laveuse.

ENTRETIEN DE LA LAVEUSE

TUYAUX D'ARRIVÉE D'EAU

Remplacer les tuyaux d'arrivée d'eau après 5 ans d'utilisation pour réduire le risque de défaillance intempestive. Inspecter périodiquement les tuyaux; les remplacer en cas de renflement, de déformation, de coupure et d'usure ou si une fuite se manifeste.

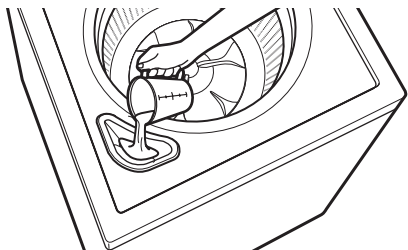
Lorsque vous remplacez les tuyaux d'arrivée d'eau, noter la date de remplacement au marqueur indélébile sur l'étiquette.

NETTOYAGE DE LA LAVEUSE

Votre laveuse doit rester aussi propre et fraîche que vos vêtements. Pour que l'intérieur de la laveuse reste libre de toute odeur, suivre la procédure mensuelle de nettoyage recommandée suivante :

1. S'assurer que la laveuse est vide.
2. Ajouter une pastille de nettoyant pour laveuse recommandé AFFRESH® dans le tambour de la laveuse OU

Si l'on utilise un agent de blanchiment liquide, ajouter 1 tasse (250 mL) dans le distributeur d'agent de blanchiment liquide.



IMPORTANT : Ne pas verser de détergent dans le programme CLEAN WASHER with AFFRESH™ (nettoyage de la laveuse avec AFFRESH™). Pour éviter tout dommage à long terme, ne pas utiliser plus que la quantité d'agent de blanchiment recommandée.

3. Rabattre le couvercle de la laveuse.
4. Appuyer sur POWER (mise sous tension).
5. Sélectionner le programme CLEAN WASHER with AFFRESH™ (nettoyage de la laveuse avec AFFRESH™).
6. Appuyer sur START/PAUSE/UNLOCK (mise en marche/pause/déverrouillage). De l'eau coule dans la laveuse pendant un moment, puis s'arrête de couler, le couvercle se verrouille et le programme reprend.

REMARQUE : Pour de meilleurs résultats, ne pas interrompre le programme. Si l'on doit interrompre le programme, appuyer sur POWER (mise sous tension) et faire fonctionner un programme RINSE AND SPIN (rinçage et essorage) pour s'assurer que le nettoyant ou l'agent de blanchiment ont été rincés de la laveuse.

Nettoyage de l'extérieur :

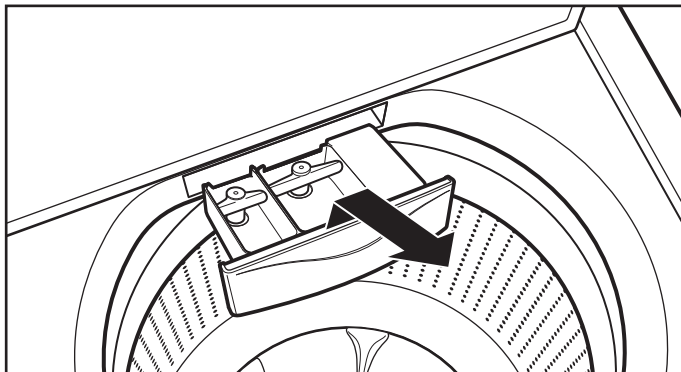
1. Utiliser une éponge ou un chiffon doux et humide pour essuyer les renversements.
2. Utiliser un nettoyant de surface tout usage si nécessaire.

IMPORTANT : Afin d'éviter d'endommager le revêtement de la laveuse, ne pas utiliser de produits abrasifs.

NETTOYAGE DU TIROIR DISTRIBUTEUR

On trouvera peut-être des traces de produits de lessive dans les distributeurs. Pour éliminer ces traces, suivre la procédure de nettoyage recommandée suivante :

1. Tirer le tiroir jusqu'à ce que l'on sente une résistance.
2. Le soulever légèrement puis continuer à tirer.
3. Laver dans une eau tiède et savonneuse avec un détergent doux.
4. Rincer à l'eau tiède.
5. Sécher à l'air ou avec une serviette, puis le replacer dans son logement.



IMPORTANT : Les tiroirs distributeurs ne sont pas lavables au lave-vaisselle.

NON-UTILISATION ET ENTRETIEN EN PÉRIODE DE VACANCES

Faire fonctionner la laveuse seulement lorsqu'on est présent. En cas de déménagement ou si l'on n'utilise pas la laveuse pendant un certain temps, suivre les étapes suivantes :

1. Débrancher la laveuse ou déconnecter la source de courant électrique.
2. Fermer l'alimentation en eau à la laveuse pour éviter toute inondation due à une surpression.

ENTRETIEN POUR ENTREPOSAGE HIVERNAL

IMPORTANT : Pour éviter tout dommage, installer et remettre la laveuse à l'abri du gel. L'eau qui peut rester dans les tuyaux risque d'abîmer la laveuse en temps de gel. Si la laveuse doit faire l'objet d'un déménagement ou d'entreposage au cours d'une période de gel, hivériser la laveuse.

Hivérissation de la laveuse :

1. Fermer les deux robinets d'eau; déconnecter et vidanger les tuyaux d'arrivée d'eau.
2. Placer 1 pinte (1 L) d'antigel pour véhicule récréatif dans le panier et faire fonctionner la laveuse sur un programme RINSE AND SPIN pendant environ 30 secondes pour mélanger l'antigel et l'eau restante.
3. Débrancher la laveuse ou déconnecter la source de courant électrique.

TRANSPORT DE LA LAVEUSE

1. Fermer les deux robinets d'eau. Débrancher et vidanger les tuyaux d'arrivée d'eau.
2. Si l'on déplace la laveuse pendant une période de gel, suivre les instructions de la section ENTRETIEN POUR ENTREPOSAGE HIVERNAL avant de la déplacer.
3. Déconnecter le tuyau de vidange du système de vidange et vidanger l'eau restante dans un plat ou un seau. Déconnecter le tuyau de vidange à l'arrière de la laveuse.
4. Débrancher le cordon d'alimentation.
5. Placer les tuyaux d'arrivée d'eau dans le panier de la laveuse.
6. Faire passer le cordon d'alimentation par dessus la console et l'enrouler dans le panier de la laveuse.
7. Replacer l'emballage en polystyrène circulaire des matériaux d'expédition d'origine à l'intérieur de la laveuse. Si vous n'avez plus l'emballage circulaire, placer des couvertures lourdes ou des serviettes dans l'ouverture du panier. Fermer le couvercle et placer du ruban adhésif sur le couvercle et jusqu'à la partie inférieure avant de la laveuse. Laisser le couvercle fermé par l'adhésif jusqu'à ce que la laveuse soit installée à son nouvel emplacement.

⚠ AVERTISSEMENT



Risque de choc électrique

Brancher sur une prise à 3 alvéoles reliée à la terre.

Ne pas enlever la broche de liaison à la terre.

Ne pas utiliser un adaptateur.

Ne pas utiliser un câble de rallonge.

Le non-respect de ces instructions peut causer un décès, un incendie ou un choc électrique.

RÉINSTALLATION/RÉUTILISATION DE LA LAVEUSE

Pour réinstaller la laveuse en cas de non-utilisation, d'entreposage pour l'hiver, de déménagement ou en période de vacances :

1. Consulter les instructions d'installation pour choisir l'emplacement, régler l'aplomb de la laveuse et la raccorder.
2. Avant de réutiliser la laveuse, exécuter la procédure recommandée suivante :

Remise en marche de la laveuse :

1. Vidanger les canalisations d'eau et les tuyaux. Reconnecter les tuyaux d'arrivée d'eau. Ouvrir les deux robinets d'eau.
2. Brancher la laveuse ou reconnecter la source de courant électrique.
3. Faire exécuter à la laveuse le programme BULKY ITEMS (articles volumineux) pour nettoyer la laveuse et éliminer l'antigel, le cas échéant. Utiliser uniquement un détergent HE Haute efficacité. Utiliser la moitié de la quantité recommandée par le fabricant pour une charge de taille moyenne.

DÉPANNAGE

Essayer d'abord les solutions suggérées ici ou consulter le site Web www.whirlpool.com/help pour obtenir de l'aide et pour éviter une intervention de réparation.

Si les phénomènes suivants se produisent	Causes possibles	Solution	
Vibrations ou déséquilibre			
Vérifier ce qui suit pour que l'installation soit correcte ou voir la section "Utilisation de la laveuse"	Les pieds ne sont peut-être pas en contact avec le plancher ou peut-être qu'ils ne sont verrouillés.	Les pieds avant et arrière doivent être en contact ferme avec le plancher et la laveuse doit être d'aplomb pour fonctionner correctement. Les contre-écrous doivent être bien serrés contre le bas de la caisse.	
	La laveuse n'est peut-être pas d'aplomb.	Vérifier que le plancher n'est pas incurvé ou qu'il ne s'affaisse pas. Si le plancher est irrégulier, un morceau de contreplaqué de 3/4" (19 mm) placé sous la laveuse permettra de réduire le bruit. Voir "Réglage de l'aplomb de la laveuse" dans les "Instructions d'installation".	
	La charge est peut-être déséquilibré.	Charger les vêtements secs sans les tasser et de façon uniforme le long de la paroi du panier. Le fait d'ajouter des articles mouillés ou de rajouter de l'eau dans le panier pourrait déséquilibrer la laveuse.	Laver des charges plus petites pour diminuer les déséquilibres.
		Utiliser le programme Bulky Item (articles volumineux) uniquement pour les articles surdimensionnés et/ou non absorbants tels que les couettes ou les vestes avec rembourrage en polyester.	Voir "Guide de programmes" et "Utilisation de la laveuse" dans ce "Guide d'utilisation et d'entretien".
Bruits - Pour une liste des bruits de fonctionnement normaux, consulter www.whirlpool.com/help.			
Cliquetis ou bruits métalliques	Des objets sont coincés dans le système de vidange de la laveuse.	Vider les poches avant le lavage. Les articles mobiles tels des pièces de monnaie sont susceptibles de tomber entre le panier et la cuve; ils peuvent aussi obstruer la pompe. Un appel pour intervention de dépannage s'avéra peut-être nécessaire pour retirer ces objets.	
		Il est normal d'entendre des articles métalliques faisant partie des vêtements comme les boutons-pression métalliques, boucles ou fermetures à glissière toucher le panier en acier inoxydable.	
Gargouillement ou bourdonnement	La laveuse est peut-être en train d'évacuer de l'eau.	Il est normal d'entendre la pompe produire un bourdonnement continu accompagné de gargouillements ou de bruits de pompage périodiques lorsque les quantités d'eau restantes sont éliminées au cours des programmes d'essorage/de vidange.	
Bourdonnement	Le témoin lumineux de détection est allumé.	Il se peut que l'on entende le ronronnement des essorages de détection après que l'on a démarré la laveuse. Ceci est normal. Cela prend à la laveuse plusieurs minutes pour effectuer les essorages de détection avant qu'elle n'ajoute l'eau.	
Fuites d'eau			
Vérifier ce qui suit pour que l'installation soit correcte :	La laveuse n'est pas d'aplomb.	Il est possible que de l'eau éclabousse en dehors du panier si la laveuse n'est pas d'aplomb.	
	Les tuyaux de remplissage ne sont pas solidement fixés.	Serrer le raccord du tuyau de remplissage.	
	Rondelles d'étanchéité des tuyaux de remplissage	S'assurer que les quatre rondelles d'étanchéité plates des tuyaux de remplissage sont correctement installées.	
	Raccord du tuyau de vidange	Tirer le tuyau de vidange de la caisse de la laveuse et le fixer correctement dans le tuyau de rejet à l'égout ou l'évier de buanderie.	
	Inspecter le circuit de plomberie du domicile pour vérifier qu'il n'y a pas de fuites ou que l'évier ou le tuyau de vidange n'est pas obstrué.	De l'eau pourrait refouler de l'évier ou du tuyau de rejet à l'égout obstrué. Inspecter tout le circuit de plomberie du domicile (éviers de buanderie, tuyau de vidange, conduites d'eau et robinets) pour vérifier qu'il n'y a aucune fuite.	

DÉPANNAGE

Essayer d'abord les solutions suggérées ici ou consulter le site Web www.whirlpool.com/help pour obtenir de l'aide et pour éviter une intervention de réparation.

Si les phénomènes suivants se produisent	Causes possibles	Solution
Fuites d'eau (suite)		
Vérifier ce qui suit pour que l'installation soit correcte : (suite)	La laveuse n'a pas été chargée tel que recommandé.	Une charge déséquilibrée peut entraîner une déviation du panier et de l'eau pourrait alors éclabousser en dehors de la cuve. Voir "Utilisation de la laveuse" pour des instructions sur le chargement.
La laveuse ne fonctionne pas comme prévu		
Quantité d'eau insuffisante dans la laveuse	La charge n'est pas complètement submergée dans l'eau.	Ceci correspond à un fonctionnement normal pour une laveuse HE à faible consommation d'eau. La charge ne sera pas complètement submergée. La laveuse détecte la taille de la charge et ajoute la bonne quantité d'eau pour un nettoyage optimal. Voir "Quoi de neuf sous le couvercle". IMPORTANT : Ne pas ajouter d'eau dans la laveuse. De l'eau supplémentaire éloignerait la charge de l'impulseur en la soulevant, ce qui réduirait la performance de nettoyage.

AVERTISSEMENT



Risque de choc électrique

Brancher sur une prise à 3 alvéoles reliée à la terre.

Ne pas enlever la broche de liaison à la terre.

Ne pas utiliser un adaptateur.

Ne pas utiliser un câble de rallonge.

Le non-respect de ces instructions peut causer un décès, un incendie ou un choc électrique.

Si les phénomènes suivants se produisent	Causes possibles	Solution
La laveuse ne fonctionne pas comme prévu (suite)		
La laveuse ne fonctionne pas ou ne se remplit pas; elle cesse de fonctionner ou le témoin lumineux de lavage reste allumé (indiquant que la laveuse n'a pas pu se remplir correctement)	Vérifier que la laveuse est correctement alimentée en eau.	Les deux tuyaux doivent être fixés et l'eau doit pénétrer dans la valve d'arrivée.
		Les robinets d'eau chaude et d'eau froide doivent être ouverts tous les deux.
		Vérifier que les tamis des valves d'arrivée ne sont pas obstrués.
		Vérifier que les tuyaux d'arrivée d'eau ne sont pas déformés; ceci peut réduire le débit.
	Vérifier que l'alimentation électrique à la laveuse est correcte.	Brancher le cordon d'alimentation dans une prise à 3 alvéoles reliée à la terre.
		Ne pas utiliser de câble de rallonge.
Vérifier que la prise est alimentée.		
		Remettre un disjoncteur qui serait ouvert en marche. Remplacer tout fusible grillé. REMARQUE : Si le problème persiste, appeler un électricien.

DÉPANNAGE

Essayer d'abord les solutions suggérées ici ou consulter le site Web www.whirlpool.com/help pour obtenir de l'aide et pour éviter une intervention de réparation.

Si les phénomènes suivants se produisent	Causes possibles	Solution	
La laveuse ne fonctionne pas comme prévu (suite)			
La laveuse ne fonctionne pas ou ne se remplit pas; elle cesse de fonctionner (suite)	Fonctionnement normal de la laveuse.	<p>Le couvercle doit être fermé pour que la laveuse puisse fonctionner.</p> <p>La laveuse fait des pauses durant certaines phases du programme. Ne pas interrompre le programme.</p> <p>Il se peut que la laveuse s'arrête pour réduire la production de mousse.</p> <p>La laveuse détecte la charge sèche avec de courts essorages qui peuvent prendre 2 à 3 minutes avant d'ajouter l'eau. Les essorages peuvent émettre un bourdonnement. Ceci est normal.</p>	
	Les vêtements sont peut-être tassés dans la laveuse.	<p>Retirer plusieurs articles, répartir uniformément la charge dans le panier. Fermer le couvercle et appuyer sur START/PAUSE/UNLOCK (mise en marche/pause/déverrouillage).</p> <p>Ne pas ajouter plus de 1 ou 2 articles supplémentaires après le début du programme.</p> <p>Ne pas ajouter d'eau dans la laveuse.</p>	
	Détergent HE non utilisé ou utilisation excessive de détergent HE.	<p>Utiliser uniquement un détergent HE. La mousse produite par des détergents ordinaires peut ralentir ou arrêter la laveuse. Toujours mesurer la quantité de détergent et suivre les instructions figurant sur le détergent en fonction des modalités de nettoyage de la charge.</p> <p>Pour éliminer la mousse, annuler le programme. Sélectionner RINSE & SPIN (Rinçage et essorage). Appuyer sur START/PAUSE/UNLOCK (mise en marche/pause/déverrouillage). Ne pas ajouter de détergent.</p>	
	La laveuse ne se vidange/n'essore pas; les charges restent mouillées ou le témoin lumineux d'essorage reste allumé (indiquant que la laveuse n'était pas en mesure d'extraire l'eau [par pompage] en 10 minutes)	Vider les poches et utiliser des sacs à linge pour les petits articles.	Des petits articles sont peut-être coincés dans la pompe ou entre le panier et la cuve, ce qui peut ralentir la vidange.
		Utiliser des programmes comportant une vitesse d'essorage inférieure.	Les programmes avec vitesses d'essorage réduites éliminent moins d'eau que les programmes qui comportent des vitesses d'essorage supérieures. Utiliser la vitesse d'essorage appropriée/le programme recommandé pour le vêtement. Pour éliminer l'eau restant dans la charge, sélectionner DRAIN & SPIN (vidange et essorage). On peut avoir à réarranger la charge pour en assurer une distribution uniforme dans le panier.
		La charge de la laveuse est peut-être tassée ou déséquilibrée.	Des charges très tassées ou déséquilibrées peuvent empêcher la laveuse d'essorer correctement : les charges ressortent plus mouillées qu'elles ne devraient l'être. Répartir uniformément la charge mouillée pour que l'essorage soit équilibré. Sélectionner le programme DRAIN & SPIN (vidange et essorage) pour enlever toute eau restée dans la machine. Voir "Utilisation de la laveuse" pour des recommandations sur la façon de charger la laveuse.
Inspecter le circuit de plomberie pour vérifier que le tuyau de vidange est correctement installé. Le tuyau de vidange se prolonge dans le tuyau rigide de rejet à l'égout au-delà de 4,5" (114 mm).		Vérifier que le tuyau de vidange est correctement installé. Utiliser la bride de retenue pour tuyau de vidange et la fixer solidement au tuyau de rejet à l'égout ou à l'évier de buanderie. Ne pas placer de ruban adhésif sur l'ouverture du système de vidange. Abaisser le tuyau de vidange si l'extrémité se trouve à plus de 96" (2,4 m) au-dessus du plancher. Retirer toute obstruction du tuyau de vidange.	
Un excès de mousse causé par l'utilisation d'un détergent ordinaire ou d'un surplus de détergent peut ralentir ou arrêter la vidange ou l'essorage.	Utiliser uniquement un détergent HE. Toujours mesurer les quantités et suivre les instructions figurant sur le détergent en fonction de la charge. Pour éliminer tout excès de mousse, sélectionner RINSE & SPIN (Rinçage et essorage). Ne pas ajouter de détergent.		

DÉPANNAGE

Essayer d'abord les solutions suggérées ici ou consulter le site Web www.whirlpool.com/help pour obtenir de l'aide et pour éviter une intervention de réparation.

Si les phénomènes suivants se produisent	Causes possibles	Solution
La laveuse ne fonctionne pas comme prévu (suite)		
Endroits secs sur la charge après un programme	Un essorage à vitesse élevée extrait davantage d'humidité que les laveuses traditionnelles à chargement par le dessus.	Un essorage à vitesse élevée associée à une circulation d'air durant l'essorage final peut entraîner l'apparition de portions sèches sur le linge au cours de l'essorage final. Ceci est normal.
Températures de lavage ou de rinçage incorrectes	Vérifier que la laveuse est correctement alimentée en eau.	Vérifier que les tuyaux d'arrivée d'eau chaude et froide n'ont pas été inversés.
		Les deux tuyaux doivent être raccordés à la fois à la laveuse et au robinet, et la valve d'arrivée doit recevoir à la fois de l'eau chaude et de l'eau froide.
		Vérifier que les tamis des valves d'arrivée ne sont pas obstrués.
		Éliminer toute déformation des tuyaux.
	Températures de lavage contrôlées pour économies d'énergie.	Les laveuses Energy Star utilisent des températures de lavage et de rinçage inférieures à celles qu'utilisait votre laveuse précédente. Cela signifie également des températures inférieures de lavage à l'eau chaude et à l'eau tiède.
Charge non rincée	Vérifier que la laveuse est correctement alimentée en eau.	Vérifier que les tuyaux d'arrivée d'eau chaude et froide n'ont pas été inversés.
		Les deux tuyaux doivent être fixés et l'eau doit pénétrer dans la valve d'arrivée.
		Les robinets d'eau chaude et d'eau froide doivent être ouverts tous les deux.
		Les tamis de la valve d'arrivée d'eau de la laveuse sont peut-être obstrués.
		Éliminer toute déformation du tuyau d'arrivée.
	Détergent HE non utilisé ou utilisation excessive de détergent HE.	La mousse produite par un détergent ordinaire peut empêcher la laveuse de fonctionner correctement.
		Utiliser uniquement un détergent HE. Veiller à mesurer correctement.
		Toujours mesurer la quantité de détergent et suivre les instructions du détergent en fonction de la taille et du niveau de saleté de la charge.
	La laveuse n'a pas été chargée tel que recommandé.	La laveuse effectuera un rinçage moins performant si la charge est bien tassée.
		Charger les vêtements sans les tasser et de façon uniforme le long de la paroi du panier. Charger la laveuse uniquement avec des articles secs.
Utiliser le programme conçu pour les tissus à laver.		
Si l'on souhaite ajouter des vêtements une fois que la laveuse a démarré, n'en rajouter qu'un ou deux.		
Sable, poils d'animaux, charpie, etc. sur la charge après le lavage	Des résidus lourds de sable, de poils d'animaux, de charpie et de détergent ou d'agent de blanchiment peuvent nécessiter un rinçage supplémentaire.	Ajouter un rinçage supplémentaire au programme sélectionné.
La charge est emmêlée	La laveuse n'a pas été chargée tel que recommandé.	Voir la section "Utilisation de la laveuse".
		Voir le "Guide de programmes" pour utiliser le programme qui correspond le mieux à la charge utilisée. Sélectionner un programme comportant un lavage plus lent et une vitesse d'essorage inférieure. Noter que les articles seront plus mouillés que si l'on utilise une vitesse d'essorage supérieure.

DÉPANNAGE

Essayer d'abord les solutions suggérées ici ou consulter le site Web www.whirlpool.com/help pour obtenir de l'aide et pour éviter une intervention de réparation.

Si les phénomènes suivants se produisent	Causes possibles	Solution
La laveuse ne fonctionne pas comme prévu (suite)		
La charge est emmêlée (suite)	La laveuse n'a pas été chargée tel que recommandé. (suite)	Charger les vêtements sans les tasser et de façon uniforme le long de la paroi du panier.
		Réduire l'emmêlement en mêlant plusieurs types d'articles dans la charge. Utiliser le programme recommandé correspondant aux types de vêtements à laver.
Ne nettoie ou ne détache pas	La charge de lavage n'est pas complètement submergée dans l'eau.	La laveuse détecte la taille de la charge et ajoute la quantité d'eau adéquate. Ceci est normal et nécessaire au mouvement des vêtements.
	Davantage d'eau a été ajoutée à la laveuse.	Ne pas ajouter d'eau dans la laveuse. De l'eau supplémentaire éloignerait le linge de l'impulseur en le soulevant, ce qui réduirait la performance de nettoyage.
	La laveuse n'a pas été chargée tel que recommandé.	La laveuse effectue un nettoyage moins performant si la charge est bien tassée.
		Charger les vêtements sans les tasser et de façon uniforme le long de la paroi du panier. Charger la laveuse uniquement avec des articles secs.
		Si l'on souhaite ajouter des vêtements une fois que la laveuse a démarré, n'en rajouter qu'un ou deux.
	Détergent HE non utilisé ou utilisation excessive de détergent HE.	La mousse produite par un détergent ordinaire peut empêcher la laveuse de fonctionner correctement.
		Utiliser uniquement un détergent HE. Veiller à mesurer correctement.
		Toujours mesurer la quantité de détergent et suivre les instructions figurant sur le détergent en fonction de la taille et du niveau de saleté de la charge.
	Programme utilisé incorrect par rapport au type de tissu.	Utiliser une option de programme de niveau de saleté plus élevée et une température de lavage plus chaude pour améliorer le nettoyage.
		Si l'on utilise le programme Quick Wash (lavage rapide) (sur certains modèles), ne laver que quelques articles.
Utiliser le programme Whites (blancs) et Heavy Duty (service intense) pour un nettoyage puissant.		
Voir le "Guide de programmes" pour utiliser le programme qui correspond le mieux à la charge utilisée.		
Distributeurs non utilisés.	Utiliser les distributeurs pour éviter que l'agent de blanchiment au chlore ou l'assouplissant pour tissu ne tachent les vêtements.	
	Remplir les distributeurs avant de démarrer un programme.	
	Éviter de les remplir excessivement.	
	Ne pas verser de produits directement sur la charge.	
Les couleurs similaires ne sont pas lavées ensemble.	Laver ensemble les couleurs semblables et les retirer rapidement une fois le programme terminé pour éviter tout transfert de teinture.	
Il reste de petites quantités d'eau dans le distributeur une fois le programme terminé	Opération normale du distributeur.	Il est normal qu'il reste de petites quantités d'eau dans le distributeur une fois le programme terminé.
Fonctionnement incorrect du distributeur	Distributeurs obstrués ou produits de lessive distribués trop tôt.	Ne pas remplir excessivement le distributeur. Un remplissage excessif peut entraîner une distribution immédiate.
		Si l'on utilise de l'assouplissant pour tissu, s'assurer que l'option Fabric Softener a été sélectionnée.

DÉPANNAGE

Essayer d'abord les solutions suggérées ici ou consulter le site Web www.whirlpool.com/help pour obtenir de l'aide et pour éviter une intervention de réparation.

Si les phénomènes suivants se produisent	Causes possibles	Solution	
La laveuse ne fonctionne pas comme prévu (suite)			
Fonctionnement incorrect du distributeur (suite)	Distributeurs obstrués ou produits de lessive distribués trop tôt. (suite)	Remplir les distributeurs avant de démarrer un programme. Pour les domiciles présentant une basse pression d'eau, il est possible qu'il reste de la poudre dans le distributeur. Pour éviter cela, sélectionner une température de lavage plus chaude (si possible - en fonction de la charge) ou utiliser un détergent liquide. Utiliser seulement un agent de blanchiment liquide dans le distributeur d'agent de blanchiment.	
	Poudre résiduelle dans le distributeur.	Dans les températures d'eau de lavage inférieures à 60°F (15,6°C), certains détergents ne se diluent pas bien. Les saletés peuvent être difficiles à enlever. Pour éviter cela, sélectionner une température de lavage plus chaude (si possible - en fonction de la charge) ou utiliser du détergent liquide HE.	
Dommages aux tissus	Des objets pointus se trouvaient dans les poches au moment du programme de lavage.	Vider les poches, fermer les fermetures à glissière, les boutons pression et les agrafes avant le lavage pour éviter d'accrocher et de déchirer le linge.	
	Les cordons et les ceintures se sont peut-être emmêlés.	Attacher tous les cordons et les ceintures avant de démarrer le nettoyage de la charge.	
	Les articles étaient peut-être endommagés avant le lavage.	Raccommoder les déchirures et reprendre les fils cassés des coutures avant le lavage.	
	Des dommages au tissu peuvent se produire si la charge est bien tassée.		Charger les vêtements sans les tasser et de façon uniforme le long de la paroi du panier. Charger la laveuse uniquement avec des articles secs.
			Utiliser le programme conçu pour les tissus à laver.
			Si l'on souhaite ajouter des vêtements une fois que la laveuse a démarré, n'en rajouter qu'un ou deux.
	Vous n'avez peut-être pas ajouté l'agent de blanchiment au chlore liquide correctement.		Ne pas verser d'agent de blanchiment au chlore liquide directement sur la charge. Essuyer tous les renversements d'agent de blanchiment.
Un agent de blanchiment non dilué endommagera les tissus. Ne pas utiliser plus que la quantité recommandée par le fabricant.			
Ne pas placer d'articles sur le dessus du distributeur d'agent de blanchiment lorsqu'on charge et décharge la laveuse.			
Les instructions de soin des vêtements n'ont peut-être pas été suivies.	Toujours lire et suivre les instructions d'entretien du fabricant indiquées sur l'étiquette du vêtement. Voir le "Guide de programmes" pour utiliser le programme qui correspond le mieux à la charge utilisée.		
Aucun son lors des pressions sur les touches	Le son des boutons est désactivé.	Le son des boutons peut être activé ou désactivé en appuyant sur Cycle Signal (signal de programme) pendant 5 secondes.	
Odeurs	L'entretien mensuel n'est pas effectué tel que recommandé.	Faire fonctionner le programme Clean Washer With AFFRESH™ (nettoyage de la laveuse avec AFFRESH™) une fois par mois. Voir "Nettoyage de la laveuse" dans la section "Entretien de la laveuse".	
		Décharger la laveuse dès que le programme est terminé.	
	Détergent HE non utilisé ou utilisation excessive de détergent HE.	Utiliser uniquement un détergent HE. Veiller à mesurer correctement. Toujours suivre les instructions du détergent. Voir la section "Nettoyage de la laveuse".	
Le témoin lumineux Lid Locked (couverture verrouillée) clignote	Le couvercle n'est pas verrouillé.	Rabattre le couvercle. La laveuse ne démarrera et ne se remplira pas si le couvercle est ouvert.	
	Un programme a été interrompu ou suspendu à l'aide du bouton START/PAUSE/UNLOCK (mise en marche/pause/déverrouillage).	La laveuse est peut-être toujours en phase d'essorage. Le couvercle ne se déverrouillera pas avant que le panier ne cesse de tourner. Si on lave des charges de grande taille ou des tissus lourds, ceci peut prendre quelques minutes.	

GARANTIE DES GROS APPAREILS MÉNAGERS WHIRLPOOL CORPORATION

GARANTIE LIMITÉE

Pendant un an à compter de la date d'achat, lorsque ce gros appareil ménager est utilisé et entretenu conformément aux instructions jointes à ou fournies avec le produit, Whirlpool Corporation ou Whirlpool Canada LP (ci-après désignées "Whirlpool") paiera pour les pièces spécifiées par l'usine et la main-d'œuvre pour corriger les vices de matériaux ou de fabrication qui existaient déjà lorsque ce gros appareil ménager a été acheté. Le service doit être fourni par une compagnie de service désignée par Whirlpool. LE SEUL ET EXCLUSIF RECOURS DU CLIENT DANS LE CADRE DE LA PRÉSENTE GARANTIE LIMITÉE CONSISTE EN LA RÉPARATION PRÉVUE CI-DESSUS. Cette garantie limitée est valide uniquement aux États-Unis ou au Canada et s'applique exclusivement lorsque le gros appareil ménager est utilisé dans le pays où il a été acheté. Une preuve de la date d'achat d'origine est exigée pour obtenir un service dans le cadre de la présente garantie limitée.

ÉLÉMENTS EXCLUS DE LA GARANTIE

La présente garantie limitée ne couvre pas :

1. Les pièces de rechange ou la main d'œuvre lorsque ce gros appareil ménager est utilisé à des fins autres que l'usage unifamilial normal ou lorsque les instructions d'installation et/ou les instructions de l'opérateur ou de l'utilisateur fournies ne sont pas respectées.
2. Les visites de service pour rectifier l'installation du gros appareil ménager, montrer à l'utilisateur comment utiliser l'appareil, remplacer ou réparer des fusibles ou rectifier le câblage ou la plomberie du domicile.
3. Les visites de service pour réparer ou remplacer les ampoules électriques, les filtres à air ou les filtres à eau de l'appareil. Les pièces consommables ne sont pas couvertes par la garantie.
4. Les dommages imputables à : accident, modification, usage impropre ou abusif, incendie, inondation, actes de Dieu, installation fautive ou installation non conforme aux codes d'électricité ou de plomberie, ou l'utilisation de produits non approuvés par Whirlpool.
5. Les défauts apparents, notamment les éraflures, les bosses, fissures ou tout autre dommage au fini du gros appareil ménager, à moins que ces dommages soient dus à des vices de matériaux ou de fabrication et soient signalés à Whirlpool dans les 30 jours suivant la date d'achat.
6. L'enlèvement et la livraison. Ce gros appareil ménager est conçu pour être réparé à domicile.
7. Les réparations aux pièces ou systèmes résultant d'une modification non autorisée faite à l'appareil.
8. Les frais de déplacement et de transport pour le service d'un produit si votre gros appareil ménager est situé dans une région éloignée où un service d'entretien Whirlpool autorisé n'est pas disponible.
9. La dépose et la réinstallation de votre gros appareil ménager si celui-ci est installé dans un endroit inaccessible ou n'est pas installé conformément aux instructions d'installation fournies par Whirlpool.
10. Les pièces de rechange ou la main d'œuvre pour les gros appareils ménagers dont les numéros de série et de modèle originaux ont été enlevés, modifiés ou qui ne peuvent pas être facilement identifiés.

CLAUSE D'EXONÉRATION DE RESPONSABILITÉ AU TITRE DES GARANTIES IMPLICITES

LES GARANTIES IMPLICITES, Y COMPRIS LES GARANTIES APPLICABLES DE QUALITÉ MARCHANDE OU D'APTITUDE À UN USAGE PARTICULIER, SONT LIMITÉES À UN AN OU À LA PLUS COURTE PÉRIODE AUTORISÉE PAR LA LOI. Certains États et certaines provinces ne permettent pas de limitation sur la durée de garanties implicites de qualité marchande ou d'aptitude à un usage particulier, de sorte que la limitation ci-dessus peut ne pas être applicable dans votre cas. Cette garantie vous confère des droits juridiques spécifiques, et vous pouvez également jouir d'autres droits qui peuvent varier d'une juridiction à l'autre.

LIMITATION DES RECOURS, EXCLUSION DES DOMMAGES FORTUITS OU INDIRECTS

LE SEUL ET EXCLUSIF RECOURS DU CLIENT DANS LE CADRE DE LA PRÉSENTE GARANTIE LIMITÉE CONSISTE EN LA RÉPARATION PRÉVUE CI-DESSUS. WHIRLPOOL N'ASSUME AUCUNE RESPONSABILITÉ POUR LES DOMMAGES FORTUITS OU INDIRECTS. Certains États et certaines provinces ne permettent pas l'exclusion ou la limitation des dommages fortuits ou indirects de sorte que ces limitations et exclusions peuvent ne pas être applicables dans votre cas. Cette garantie vous confère des droits juridiques spécifiques, et vous pouvez également jouir d'autres droits qui peuvent varier d'une juridiction à l'autre.

Si vous résidez à l'extérieur du Canada et des 50 États des États-Unis, contactez votre marchand Whirlpool autorisé pour déterminer si une autre garantie s'applique.

Si vous avez besoin d'un service de réparation, voir d'abord la section "Dépannage" du Guide d'utilisation et d'entretien. Si vous n'êtes pas en mesure de résoudre le problème après avoir consulté la section "Dépannage", vous pouvez trouver de l'aide supplémentaire en consultant la section "Assistance ou Service" ou en appelant Whirlpool. Aux É.-U., composer le **1-800-253-1301**. Au Canada, composer le **1-800-807-6777**.

7/08

Conservez ce manuel et votre reçu de vente ensemble pour référence ultérieure. Pour le service sous garantie, vous devez présenter un document prouvant la date d'achat ou d'installation.

Inscrivez les renseignements suivants au sujet de votre gros appareil ménager pour mieux vous aider à obtenir assistance ou service en cas de besoin. Vous devrez connaître le numéro de modèle et le numéro de série au complet. Vous trouverez ces renseignements sur la plaque signalétique située sur le produit.

Nom du marchand _____

Adresse _____

Numéro de téléphone _____

Numéro de modèle _____

Numéro de série _____

Date d'achat _____

ASSISTANCE OR SERVICE

Before calling for assistance or service, please check "Troubleshooting" or visit www.whirlpool.com/help. It may save you the cost of a service call. If you still need help, follow the instructions below.

When calling, please know the purchase date and the complete model and serial number of your appliance. This information will help us to better respond to your request.

If you need replacement parts or to order accessories

We recommend that you use only FSP® Factory Specified Parts. These parts will fit right and work right because they are made with the same precision used to build every new WHIRLPOOL® appliance.

To locate FSP® replacement parts, assistance in your area, or accessories:

Whirlpool Corporation Customer eXperience Center

1-800-253-1301 www.whirlpool.com

1-800-442-9991 (Accessories)

www.whirlpool.com/accessories

Whirlpool Canada LP

Customer eXperience Centre

1-800-807-6777

www.whirlpool.ca

or call your nearest designated service center or refer to your Yellow Pages telephone directory.

Our consultants provide assistance with

In the U.S.A.

- Features and specifications on our full line of appliances.
- Installation information.
- Specialized customer assistance (Spanish speaking, hearing impaired, limited vision, etc.).

In the U.S.A. and Canada

- Use and maintenance procedures.
- Accessory and repair parts sales.
- Referrals to local dealers, repair parts distributors, and service companies. Whirlpool designated service technicians are trained to fulfill the product warranty and provide after-warranty service, anywhere in the United States and Canada.

You can write with any questions or concerns at:

Whirlpool Corporation
Customer eXperience Center
553 Benson Road
Benton Harbor, MI 49022-2692

Customer eXperience Centre
Whirlpool Canada LP
Unit 200 - 6750 Century Ave.
Mississauga, ON L5N 0B7

Please include a daytime phone number in your correspondence.

ASSISTANCE OU SERVICE

Avant de faire un appel pour assistance ou service, veuillez vérifier la section "Dépannage" ou consulter www.whirlpool.com/help. Cette vérification peut vous faire économiser le coût d'une visite de réparation.

Si vous avez encore besoin d'aide, suivre les instructions ci-dessous.

Lors d'un appel, veuillez connaître la date d'achat et les numéros au complet de modèle et de série de votre appareil. Ces renseignements nous aideront à mieux répondre à votre demande.

Si vous avez besoin de pièces de rechange ou pour commander des accessoires

Si vous avez besoin de commander des pièces de rechange, nous vous recommandons d'utiliser seulement des pièces spécifiées par l'usine FSP®. Ces pièces conviendront et fonctionneront bien parce qu'elles sont fabriquées selon les mêmes spécifications précises utilisées pour construire chaque nouvel appareil WHIRLPOOL®.

Pour trouver des pièces de rechange FSP® ou des accessoires dans votre région :

Whirlpool Canada LP Centre pour l'eXpérience de la clientèle
1-800-807-6777 www.whirlpool.ca

Nos consultants fournissent l'assistance pour :

- Procédés d'utilisation et d'entretien.
- Vente d'accessoires et de pièces de rechange.
- Les références aux concessionnaires, compagnies de service de réparation et distributeurs de pièces de rechange locaux. Les techniciens de service désignés par Whirlpool® sont formés pour remplir la garantie des produits et fournir un service après la garantie, partout au Canada.

Pour plus d'assistance

Vous pouvez nous soumettre toute question ou problème en écrivant à l'adresse ci-dessous :

Centre pour l'eXpérience de la clientèle
Whirlpool Canada LP
Unit 200 - 6750 Century Ave.
Mississauga, ON L5N 0B7

Dans votre correspondance, veuillez indiquer un numéro de téléphone où on peut vous joindre dans la journée.